

INDUSTRIAL BALL VALVE

Electric actuator

INSTALLATION AND MAINTENANCE MANUAL



PVC-U (PTFE-EPDM/FPM)
CPVC (PTFE-EPDM/FPM)



ENGLISH	PAGE 04
ESPAÑOL	PAGE 12
FRANÇAIS	PAGE 20
PORTUGUÊS	PAGE 28
ITALIANO	PAGE 36
DEUTSCH	PAGE 44

Important: This instruction manual contains essential information regarding safety measures to be adopted when installing and starting up the equipment. It is therefore essential that the user reads these instructions before installing and starting to use this product.

Please read the instructions below carefully in order to get the best performance from you actuated valve.

These symbols    indicate potential danger if the advice set out here is not followed.



DANGER. Risk of electrocution. Failure to follow the advice set out here may result in electrocution.



DANGER. Failure to follow the advice set out here may result in personal harm or damage to the device .



WARNING. Failure to follow the advice set out here may result in damage to the automatic valve or device.

GENERAL SAFETY ADVICE

The valves described in this manual are especially designed to ensure a correct circulation of the flow in all work phases.

Device should be installed in accordance with the specific instructions for each installation. All existing safety legislation should be respected at all times in order to avoid accidents.



Any modification to the electric actuator requires prior authorisation from the manufacturer. Spare parts and accessories authorised by the manufacturer are a guarantee of greater safety. The manufacturer of this actuated valve is exempt from all responsibility for damage arising from unauthorised spare parts and accessories.

The electrical and pneumatic parts of this device will have an electrical current running through them during operation. All work on the automatic valve and other related equipment should only be carried out after having first disconnected the start up mechanism.



The user should ensure that all assembly and maintenance work is carried out by suitably authorised, qualified personnel, and that they have previously read the installation and service instructions set out in this manual.

Safe usage of this actuated valve can only be guaranteed by closely following the installation and service instructions set out here.

Voltage and air pressure limits should not be exceeded under any circumstances.

In case of malfunction or breakdown, contact the nearest factory representative or technical assistance service department. Knocks should be avoided during transport, since they may damage the body and mechanism of the valve.

Store the valve in the original packaging, protected against humidity and direct sunlight.

ELECTRIC BALL VALVE WARNINGS

The maximum service life of the valve is specified in EN ISO 16135:2007. This has been verified at the factory using ageing tests specified in the standard.

Correct installation and handling of the valve, as well as adherence to the maximum pressure and temperature conditions specified in this manual are essential in order to preserve the service life of the valve.

The liquid to be conducted must be compatible with the valve materials. Consult chemical resistance charts published by Cepex or consult the technical department.

The use of tools to open or close the manual valve control is not recommended.



Before carrying out any maintenance operations on the pipe or valve, ensure that the system has been depressurised by releasing the pressure and emptying the pipes, following the specific safety regulations for each product.

Before installation, check that the valve is undamaged and that it contains all the parts required for installation.

After long periods of inactivity, check the grease on the o-rings and follow the maintenance instructions set out in this manual. The grease must be compatible with the valve materials.

Rapid closure of valves should be avoided to eliminate the possibility of water hammer causing damage to the system.

When using the valve as the final element of an installation, the risks of the liquid should be taken into account and the pressure and temperature should be controlled, according to the safety standards for each product.



Make all connections following the instructions referring to electrical supply set out in this manual. Ensure that all cables are correctly connected.



If the box at the end of the run needs to be opened, when it is closed again, check that it is correctly positioned to avoid any contact with water. Also check that connectors are correctly positioned.

At all times, avoid contact, even accidental, with the motorised valve's moving parts during operation and/or before it has come to a complete standstill.



Ensure that the start-up mechanisms are blocked before beginning any electrical maintenance, The following steps should be followed before any modification to the motorised valve:

- 1.- Disconnect from the main supply.
- 2.- Block the system's start-up mechanisms.
- 3.- Make sure that no voltage is running through the circuits, including the auxiliary circuits and supplementary services.

All the above should be taken as indicative and not directly linked to the safety procedure as specific safety regulations may be in place in some cases.

IMPORTANT: As a result of the complexity of the subject, the installation, usage and maintenance instructions found in this manual are not designed to cover all imaginable service and maintenance scenarios. Should any further instructions be required or specific problems encountered, please do not hesitate to contact the distributor or valve manufacturer.



1. DEFINITION

Ball valve for isolating the flow in liquid handling systems.
Design based on Standard EN ISO 16135:2007.

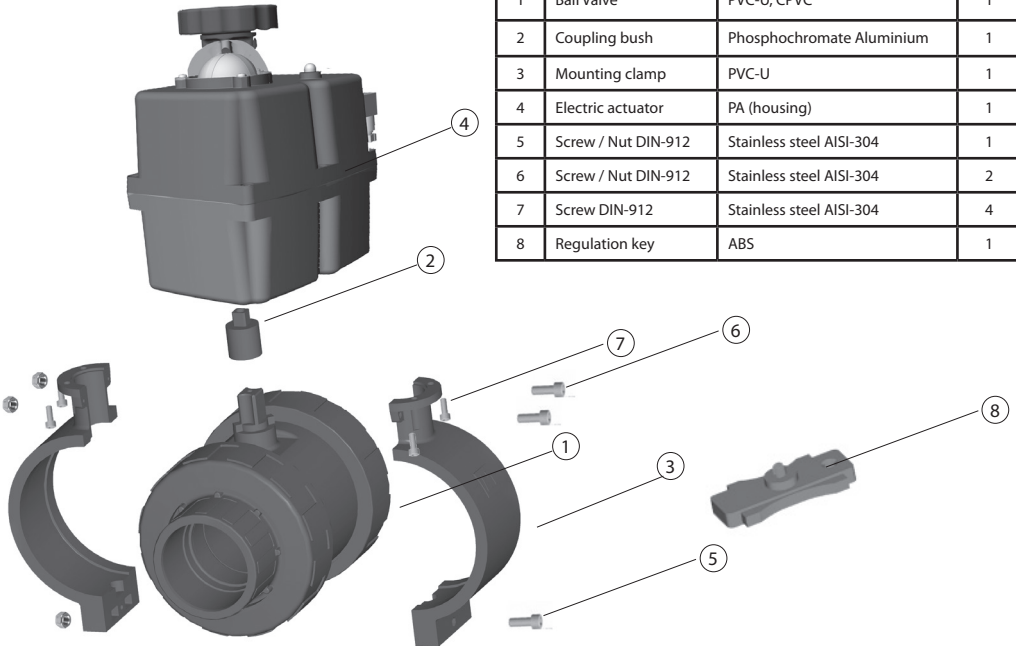
The valve is available with PVC-U, CPVC and PPH bodies and EPDM and FPM sealing gaskets. The choice of material for the body and gaskets depends on the type of liquid to be carried and on the working temperature of the liquid, in accordance with the chemical resistance tables available on our website and the pressure/temperature chart in this Manual.
The electric actuator controls the positions of the valve (closed / open).

2. COMPONENTS

2.1 Actuated valve components

Fig. 1

N	DESCRIPTION	MATERIAL	Q
1	Ball Valve	PVC-U, CPVC	1
2	Coupling bush	Phosphochromate Aluminium	1
3	Mounting clamp	PVC-U	1
4	Electric actuator	PA (housing)	1
5	Screw / Nut DIN-912	Stainless steel AISI-304	1
6	Screw / Nut DIN-912	Stainless steel AISI-304	2
7	Screw DIN-912	Stainless steel AISI-304	4
8	Regulation key	ABS	1



2.2 Valve components

Fig. 2

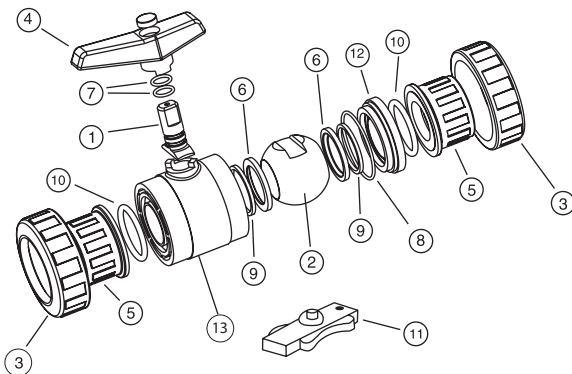


FIG.	Parts	Material
1	Shaft	PVC-U / CPVC
2	Ball	PVC-U / CPVC
3	Union nut	PVC-U / CPVC
4	Handle	PP
5	End connector	PVC-U / CPVC
6	Ball seat	HDPE / PTFE
7	Shaft o-ring	EPDM / FPM
8	Body o-ring	EPDM / FPM
9	Dampener seal	EPDM / FPM
10	Union o-ring	EPDM / FPM
11	Adjusting key	ABS
12	Seal-carrier	PVC-U / CPVC
13	Body	PVC-U / CPVC

3. BALL VALVE

3.1 VERIFICATION OF VALVE TYPE

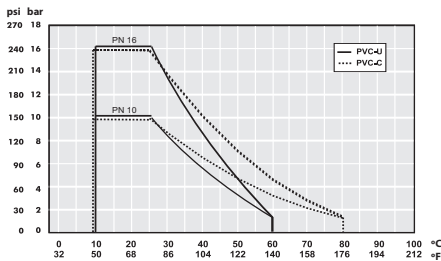
On opening the packaging please check that the valve is the model ordered. Check that the actuator model corresponds with the code number ordered. Make especially sure that the voltage indicated on the actuator label corresponds to that of your mains supply (actuators do not incorporate valves, meaning that incorrect voltage will cause irreparable damage to the device). All valves are electrically and hydraulically tested in the factory. Valves will always be replaced in the event of any justifiable claim. For more technical information about the actuators, please refer to the instruction manuals attached to the valve documentation.

3.2 GUARANTEE

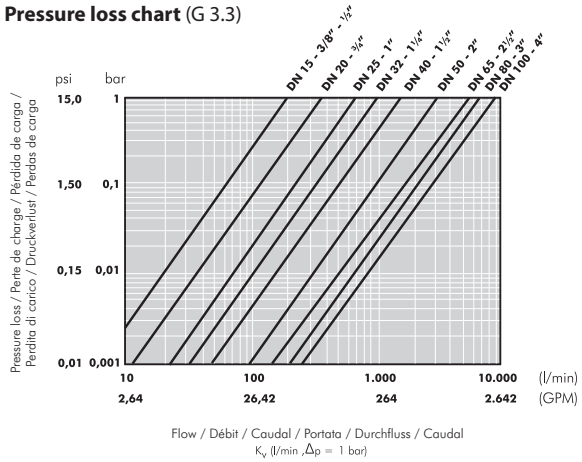
This equipment has been extensively tested in the factory, thus guaranteeing it is in perfect working condition. This guarantee will be applicable assuming the device has been properly installed and not used in an incorrect way. For this reason, this equipment must be installed by a suitably qualified person.

3.3 TECHNICAL CHARACTERISTICS

Pressure / Temperature Chart. (G 3.1)



Pressure loss chart (G 3.3)



Pressure loss table (T3.3)

DN	D	Kv (l/min)	Cv (GPM)
10	16	75	5,3
15	20	190	13,3
20	25	380	26,6
25	32	690	48,3
32	40	980	68,6
40	50	1600	112
50	63	3000	210,1
65	75	5500	385,2
80	90	6800	476,2

Valve design	Valve connections	Actuator coupling
EN ISO 16135:2007	Threads: ISO 7-1, ISO 228-1 Flanges: EN 558-1, EN 1092-1 Solvent socket: ISO 15493	EN/ISO 5211

Valve operating torque

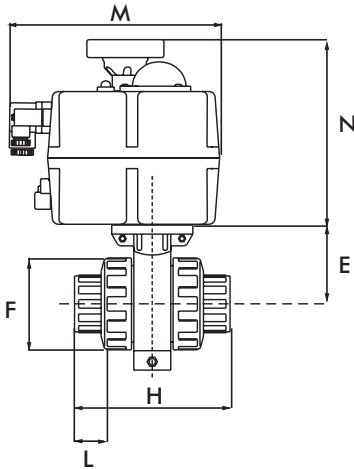
Operating torque values at rated pressure (PN) and 20 °C as supplied by default from the factory. Installation and operating conditions (pressure and temperature) may affect these values. The actuator required for an automatic operation must be calculated according to some safety factors that were determined in tests carried out in the factory.

Operating torque table (N-m) (T3.2)

	DN15	DN20	DN25	DN32	DN40	DN50	DN65	DN80	DN100
N-m	1	2	3,5	3,5	5	15	25	45	58
lbf-inch	8,9	17,7	31	31	44,3	132,8	221,3	398,3	514

4. DIMENSIONS

Fig. 3



T 4.1(mm)

DN	D/G	L	H	E	F
15	16 - 3/8"	14	84	64	52
15	20 - 1/2"	16	84	64	52
20	25 - 3/4"	19	108	64	62
25	32 - 1"	22	124	74	70
32	40 - 1 1/4"	26	142	74	84
40	50 - 1 1/2"	31	167	88	104
50	63 - 2"	38	198	88	120
65	75 - 2 1/2"	44	232	123	148
80	90 - 3"	51	269	123	179
100	110 - 4"	63	359	165	228

See the actuator manual to check the dimensions M and N.

Actuator coupling dimensions (T4.2)

DN	ISO FLANGE	SQUARE OPTIONS (mm)
15	F03-F05	9/11/14
20	F05	9/11/14
25	F05	11/14
32	F05	11/14
40	F05-F07	11/14/17
50	F05-F07	11/14/17
65	F07	17
80	F07	17 / 22
100	F07-F10	17/22

5. INSTALLATION AND COMMISSIONING

Before starting the installation process, check that all the parts needed for the valve assembly are there, and that the materials, connection type and nominal pressure are suitable for the installation.

For solvent or welded connections, ensure also that the parts to be connected are of the same material and that the correct solvent or welding tools are used.

To install the valve, follow best installation practice recommendations provided on the Cepex website, paying specific attention to thermal expansion and pipe alignment.

When filling the pipes with liquid, check that all the air has been purged from the system and that the initial pressure does not exceed the nominal pressure of the valve, or of the system element with the lowest nominal pressure rating.

Install the valve pointing in the direction of flow marked on the body of the valve (downstream).

Install the valve once the sockets are solvent-bonded and dry, to avoid problems with the adhesive (entry of the latter into the valve).

The valve is supplied assembled from the factory and the following steps should be followed for its installation:

1. Check that the diameter of the pipe corresponds to the inside of the end connector (if it is a solvent socket).
2. Adjust the valve to the installation leaving the union nut (3) Fig. 6 on the pipe before gluing the end connector (5) Fig. 7.
3. Leave an exact distance between end connectors (see Fig. 8), so that the body of the valve can be easily introduced, preventing it from being strained by both ends of the piping.
4. Solvent sockets (PVC-U / PVC-C / ABS) are made by cleaning the areas to be joined with a suitable solvent and then adding adhesive. It not recommended that pressure be applied until 24 hours after gluing.

The body of the end connectors should be separated during the solvent operation, to avoid that the adhesive damages the valve's internal parts.

5. PTFE tape is placed on the male threads of the threaded unions: "it is very important not to use an excessive amount as when it is put together it could cause the breakage of the female housing".

6. The welded unions (PE / PP-H / PVDF) are made taking into account the instructions of the welding tool used.

This range of valves allows the valve to be fixed to a base using threaded inserts at the bottom.

When using the inserts, take note of the dimensions of the screws.

Fig. 6

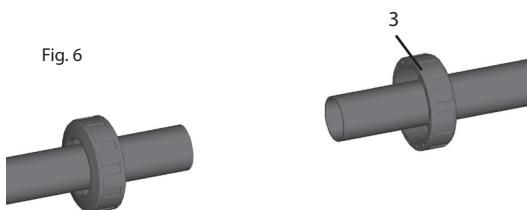


Fig. 7



Fig. 8



6. OPERATION OF THE ACTUATOR

The motorised valve consists of an electronic actuator mounted on a conventional valve.

OPERATION. When an electric signal is received, the motor turns to either "OPEN" or "CLOSE" depending on the switching signal until the internal cam connects to the microswitch, bringing the motor to a stop. When it receives an electric signal again, the motor will turn in the opposite direction.

- Reversible monophase motor with visual position indicator and exit signal.
- Applications: In 90° turns (or 180° in the case of the three-way ball valve).
- Both AC and DC power supply. Both positions possible with the same actuator. Always follow the connection diagram on the actuator label.
- Emergency manual operation. The motor will be automatically disconnected by putting the lever in the M (Manual) position.
- Additional auxiliary contacts for transmission position signal.
- **WARNING.** Do not connect low voltage actuators to higher voltage sources. Similarly do not connect high-voltage actuators to lower voltage sources. Actuators do not have fuses and incorrect voltages can cause irreparable damage to the device.

J+J Characteristics

- Thermostat controlled temperature: Incorporation of a thermostat-controlled 4W heating system, working temperature between 20°C and 30°C (68°F to 86°F). In order for the system to work correctly it is important to keep the voltage running through the actuator.
- Safety: The actuator features an automatic electronic cut-off system in case the maximum torque is exceeded. Should this happen, the device may be manually operated using the handle on the actuator.
- A permanently lit internal LED indicates that the actuator is working correctly. If it starts flashing, this means something is wrong and the power supply to the actuator will automatically switch off.

Optional accessories:

- Digital positioning System
- Safety block. Independent terminal providing power supply to the actuator in the event of power failure.

5.1 COMPLIANCE TO STANDARDS

J+J Actuator

ISO 5211 - DIN 3337 (valve connection) EN 60204 (safety)

EN 50081-1 / EN 50081-2 / EN 50082-1 / EN 50082-2 / EN 61000-4-2 / EN 61000-4-3 / EN 61000-4-4 / EN 61000-4-5 / EN 61000-4-6 / EN 61000-4-11 (electromagnetic compatibility)

Valves Actuator:

ISO 5211 - DIN 3337 (valve connection)

EN 61000-6-2 / EN 61000-6-4 (electromagnetic compatibility) EN 60947-1 (1999) (low-voltage equipment)

7. OPERATION AND MAINTENANCE INSTRUCTIONS

If the valve is installed correctly pointing in the direction of flow marked on the body, it is possible to carry out the maintenance downstream without any problems. By simply closing the valve this acts as a plug. If on the contrary maintenance is required upstream, it is essential that there is no pressure in the circuit when dismantling the union nut and end connector.

The operations described below should always be carried out without any fluid in the line.

The valve is adjusted in the factory for correct and prolonged operation. Nevertheless, the tightening of the sealing gasket on the ball can be readjusted when the conditions of use so require it.

This operation should be carried out with the help of the tool provided (Fig. 18.1).

Dismantle the valve's union nuts (3) and remove them from their housing. Put the tool into the slot that is found in the seal carriers for this purpose (12) and turn the key anti-clockwise to tighten the o-ring and clockwise to loosen it. If any of the components of the valve wear out, they can be replaced by dismantling the valve's body. To do so, proceed in the same way as with the adjustment but turn it clockwise until the seal carriers (12) are released. When this has been done any of the body's O-rings may be replaced. Turn the shaft until the ball is in a closed position; remove the ball (2) and remove the ball seats (9).

To replace the shaft, this must be forced as shown in Fig.16. Once the shaft has been removed (1) the o-rings can be replaced (7). Remember that excessive force on the seal carriers can affect the action which can damage the actual functioning of the valve. Assembly can be done by reversing the process but always taking the precaution of lubricating the o-rings with PTFE oil. Do not use grease or mineral oils that may attack the material of the o-rings.

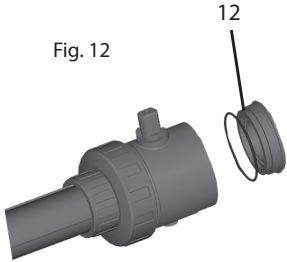


Fig. 12

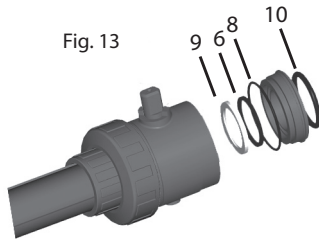


Fig. 13

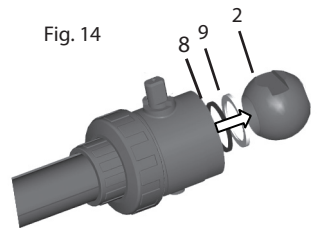


Fig. 14

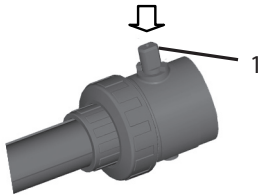


Fig. 16



Fig. 17

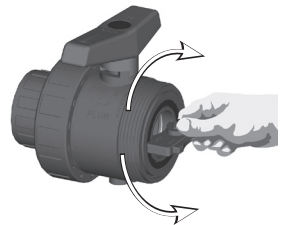


Fig. 18

8. MOUNT AND DISMANTLE THE ACTUATOR

If the actuator or the valve needs to be replaced, proceed as follows:

1. Move the ball valve to the closed position.
 2. Depressurise and drain the plant or the plant component.
 3. Depressurise the control medium.
 4. Remove the control medium line(s) from the actuator.
 5. Remove the screws (A, Fig. 19).
 6. Separate the pneumatic actuator (4) from the bare shaft valve (Fig. 19).
 7. Remove the screws (B) in order to dismantle the mounting clamp.
 8. In the case that the actuator needs to be replaced by a handle, also remove the coupling bush (3, Fig.19).
- In order to assemble a new actuator or a new valve, proceed in opposite direction to the description above.

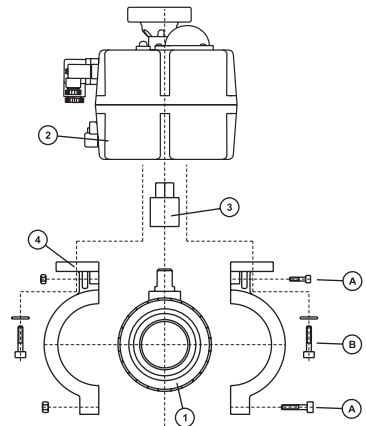


Fig. 19




10. TROUBLESHOOTING




T 9.1

FAULT	POSSIBLE CAUSE	FAULT CLEARANCE
Leak in the valve body.	Wear of the body o'ring.	Change the o'ring.
	Loosening of the seal carrier.	Adjust the seal carrier.
	Presence of solids or strange elements.	Remove the valve and replace damaged parts.
Leak in the valve shaft.	Wear of the shaft o'rings.	Change the o'rings.
The torque is too strong or the valve is blocked.	The seal carrier is over-tight	Adjust the seal carrier.
The valve does not open or close.	Lack of current.	Check current supply to the actuator
The valve does not close completely.	The actuator stroke is not properly adjusted to the valve.	Check adjustment limits according to the actuator manual.
	The torque of the valve has increased above the calculated value.	Check the valve: obstructions in the disc or malfunction of the valve.

Importante: Este manual de instrucciones contiene información esencial concerniente a medidas de seguridad a adoptar en la instalación y puesta en marcha el equipo. Por tanto, es importante que el usuario lea estas instrucciones antes de instalar y usar este producto.


Para obtener el mejor funcionamiento de la válvula actuada, es recomendable leer con atención las siguientes instrucciones.

Estos símbolos    indican peligro potencial si no se siguen las recomendaciones aquí indicadas.

-  PELIGRO. Riesgo de electrocución. No seguir las recomendaciones puede provocar electrocución.
-  PELIGRO. No seguir las recomendaciones puede provocar daños personales o daños al equipo.
-  ADVERTENCIA. No seguir las recomendaciones puede provocar daños a la válvula automática o al equipo.


RECOMENDACIONES GENERALES DE SEGURIDAD

Las válvulas descritas en este manual han sido especialmente diseñadas para asegurar la correcta circulación del flujo en todas las fases de trabajo.

-  El equipo debe ser instalado de acuerdo con instrucciones específicas. Las advertencias de seguridad deben ser respetadas en todo momento.

Cualquier modificación del actuador requiere una autorización previa del fabricante. Los recambios y accesorios autorizados son una garantía de mayor seguridad.

El fabricante de la válvula motorizada renuncia cualquier responsabilidad derivada del daño causado por el uso de recambios o accesorios no autorizados.

-  Durante la operación, las partes eléctricas o electrónicas reciben voltaje. Trabajar en la válvula automática u otro equipo relacionado sólo puede ser ejecutado después de haber desconectado el mecanismo de arranque.

El usuario debe asegurarse que los trabajos de montaje y mantenimiento siempre son realizados por personal autorizado y cualificado, y que éste ha leído atentamente las instrucciones de instalación y servicio contenidas en este manual.

La seguridad de funcionamiento de esta válvula actuada sólo puede ser garantizada con el cumplimiento estricto de las instrucciones de instalación y servicio. Las limitaciones de voltaje no pueden ser sobrepasadas en ninguna circunstancia.

En caso de defectos de funcionamiento o avería, contactar con el representante de fábrica más cercano o el servicio de asistencia técnica de fábrica. Evitar golpes durante el transporte, ya que éstos pueden dañar el cuerpo o el mecanismo de la válvula.

Almacenar la válvula en su embalaje original, proteger contra la humedad y la exposición directa al sol.


ADVERTENCIAS DE LA VÁLVULA DE BOLA ELÉCTRICA

La vida máxima de servicio de la válvula está especificada en la norma EN ISO 16135:2007. Ésta ha sido verificada en fábrica con pruebas de envejecimiento especificadas en la norma.

La correcta instalación y manejo de la válvula, así como el cumplimiento de las condiciones de presión máxima y temperatura especificadas en este manual son esenciales para preservar la vida de la válvula.

El líquido conducido debe ser compatible con los materiales de la válvula. Consultar la tabla de resistencia química publicado en la website de Cepex o consultar con el departamento técnico.

No es recomendado el uso de herramientas para abrir o cerrar el control manual de la válvula.


-  Antes de llevar a cabo operaciones de mantenimiento en la tubería o la válvula, asegurarse que el sistema está despresurizado liberando la presión y vaciando las tuberías, siguiendo las regulaciones de seguridad específicas de cada elemento.

Antes de la instalación, comprobar que la válvula no ha sufrido daños y que contiene todas las partes necesarias para la instalación.


Después de largos periodos de inactividad, comprobar la grasa de las juntas y seguir las instrucciones de mantenimiento contenidas en este manual. La grasa debe ser compatible con los materiales de la válvula.


Es importante evitar el cierre rápido de las válvulas para eliminar la posibilidad de golpes de ariete que causen daño al sistema.

Cuando se usa la válvula como elemento final de una instalación, tener en cuenta los riesgos del líquido y controlar la presión y la temperatura, de acuerdo con los estándares de cada producto.

-  Realizar todas las conexiones siguiendo la instrucción referida al suministro eléctrico contenida en este manual. Asegurarse que todos los cables están correctamente conectados.


En caso de necesitar abrir la caja a final de carrera, al cerrarla de nuevo, comprobar que está posicionada correctamente para evitar cualquier contacto con el agua. También comprobar que los conectores están situados correctamente.

-  En todo momento, evitar contacto, incluso accidental, con las partes móviles de la válvula actuada durante la operación y/o antes de que haya llegado al cierre completo.

-  Antes de empezar cualquier mantenimiento eléctrico, asegurarse que los mecanismos de arranque están bloqueados. Es recomendable seguir los siguientes pasos antes de cualquier alteración de de la válvula actuada:

- 1.- Desconectar del suministro general.
- 2.- Bloquear los sistemas de arranque del sistema.
- 3.- Asegurarse que no hay voltaje corriendo a través de los circuitos, incluyendo circuitos auxiliares y servicios suplementarios.

Todo lo indicado anteriormente debe ser tomado como indicativo y no y no directamente ligado a procedimientos de seguridad, ya que en algunos casos puede haber normas de seguridad específicas.

-  **IMPORTANTE:** Como resultado de la complejidad del sujeto, las instrucciones de instalación, uso y mantenimiento contenidas en este manual no están designadas para cubrir cualquier escenario imaginable de servicio y mantenimiento. Si requiere otras instrucciones o se encuentra con problemas específicos, por favor no dude en contactar con su distribuidor o el fabricante de la válvula.

1. DEFINICIÓN

Válvula de bola para interrumpir el paso del flujo en sistemas de conducción de fluidos.

Diseño basado en EN ISO 16135:2007 Standard.

La válvula está disponible con el cuerpo en PVC-U/CPVC y PP-H y juntas en EPDM alimentario o FPM. La elección de material del cuerpo y los juntas dependerá del tipo de líquido a transportar y de la temperatura de trabajo del líquido, de acuerdo con las tablas de resistencia química disponibles en nuestra website y los gráficos de presión/temperatura incluidos en este manual.

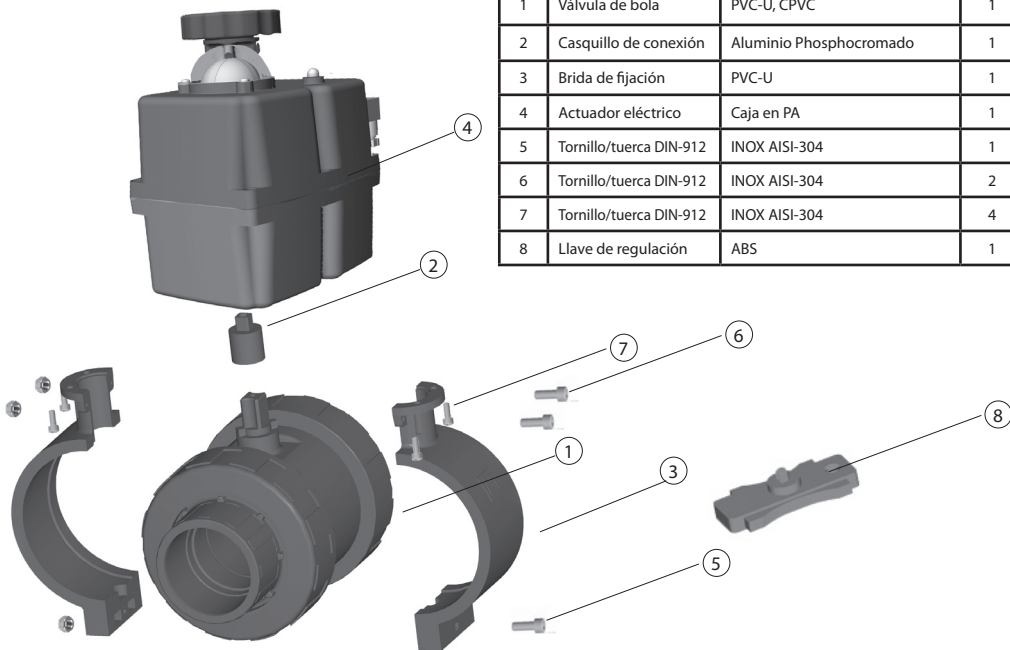
El actuador eléctrico controla las posiciones de la válvula (cerrada / abierta).

2. COMPONENTES

2.1 Componentes de la válvula actuada

Fig. 1

N	DESCRIPCIÓN	MATERIAL	Q
1	Válvula de bola	PVC-U, CPVC	1
2	Casquillo de conexión	Aluminio Phosphocromado	1
3	Brida de fijación	PVC-U	1
4	Actuador eléctrico	Caja en PA	1
5	Tornillo/tuerca DIN-912	INOX AISI-304	1
6	Tornillo/tuerca DIN-912	INOX AISI-304	2
7	Tornillo/tuerca DIN-912	INOX AISI-304	4
8	Llave de regulación	ABS	1



2.2 Componentes de la válvula

Fig. 2

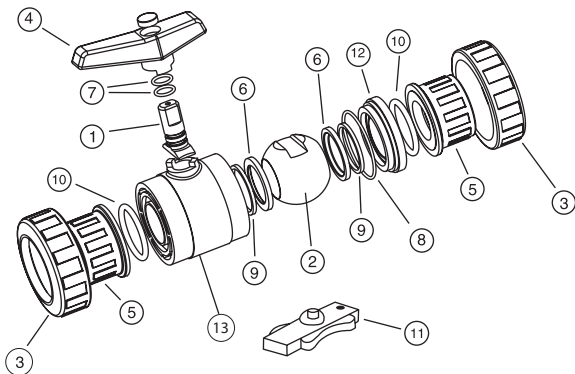


FIG.	Partes	Material
1	Eje	PVC-U / CPVC
2	Bola	PVC-U / CPVC
3	Tuerca	PVC-U / CPVC
4	Maneta	PP
5	Manguito unión	PVC-U / CPVC
6	Asiento bola	HDPE / PTFE
7	Junta eje	EPDM / FPM
8	Junta cuerpo	EPDM / FPM
9	Junta amort.	EPDM / FPM
10	Junta manguito	EPDM / FPM
11	Llave regulación	ABS
12	Porta-juntas	PVC-U / CPVC
13	Cuerpo	PVC-U / CPVC

3. VÁLVULA DE BOLA

3.1 VERIFICACIÓN DEL TIPO DE VÁLVULA

Al abrir el embalaje, comprobar que la válvula es el modelo que usted pidió. Comprobar que el modelo del actuador corresponde con el código pedido. Prestar especial atención a que el voltaje indicado en la etiqueta del actuador se corresponde a su suministro eléctrico (un voltaje incorrecto puede causar daños irreparables al equipo). Todas las válvulas están eléctricamente e hidráulicamente comprobadas en fábrica. Las válvulas siempre serán sustituidas ante alguna causa justificable.

3.2 GARANTÍA

Este equipo ha sido extensivamente probado en fábrica a fin de garantizar que esté en perfectas condiciones de trabajo. Esta garantía será aplicable asumiendo que la válvula ha sido correctamente instalada y no ha sido usada de manera incorrecta. Por esta razón, el equipo debe ser instalado por personal cualificado.

3.3 CARACTERÍSTICAS TÉCNICAS

Gráfico presión / temperatura (G 3.1)

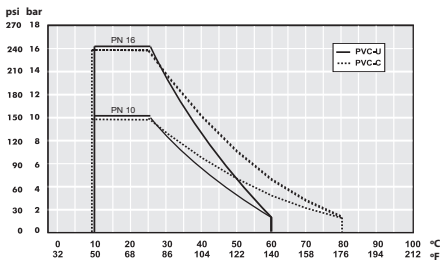


Gráfico pérdidas de carga (G 3.3)

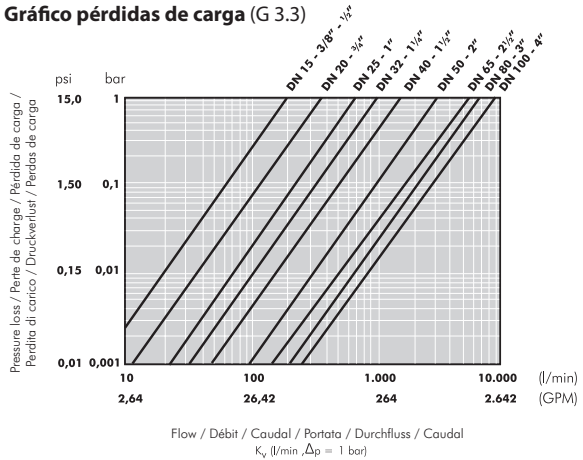


Tabla pérdidas de carga (T3.3)

DN	D	Kv (l/min)	Cv (GPM)
10	16	75	5,3
15	20	190	13,3
20	25	380	26,6
25	32	690	48,3
32	40	980	68,6
40	50	1600	112
50	63	3000	210,1
65	75	5500	385,2
80	90	6800	476,2

Diseño de válvula	Conexiones	Conexión actuador
EN ISO 16135:2007	Rosca: ISO 7-1, ISO 228-1 Bridas: EN 558-1, EN 1092-1 Encolar: ISO 15493	EN/ISO 5211

Par de apertura de la válvula

Par de apertura a presión nominal (PN) y 20 °C tal cómo viene directamente de fábrica. La instalación y condiciones de trabajo (presión y temperatura) pueden afectar a estos valores.

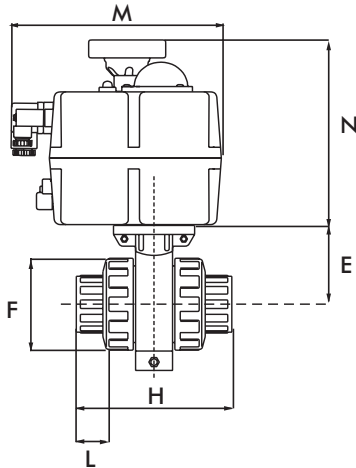
El actuador requerido para operación automática debe ser calculado de acuerdo a algunos factores de seguridad que han sido determinados en ensayos llevados a prueba en fábrica.

Tabla de par de maniobra (N-m) (T3.2)

	DN15	DN20	DN25	DN32	DN40	DN50	DN65	DN80	DN100
N-m	1	2	3,5	3,5	5	15	25	45	58
lbf-inch	8,9	17,7	31	31	44,3	132,8	221,3	398,3	514

4. DIMENSIONES

Fig. 3



T 4.1(mm)

DN	D/G	L	H	E	F
15	16 - 3/8"	14	84	64	52
15	20 - 1/2"	16	84	64	52
20	25 - 3/4"	19	108	64	62
25	32 - 1"	22	124	74	70
32	40 - 1 1/4"	26	142	74	84
40	50 - 1 1/2"	31	167	88	104
50	63 - 2"	38	198	88	120
65	75 - 2 1/2"	44	232	123	148
80	90 - 3"	51	269	123	179
100	110 - 4"	63	359	165	228

Ver el manual del actuador para las dimensiones M y N.

Dimensiones de acople de actuador (T4.2)

DN	ISO FLANGE	SQUARE OPTIONS (mm)
15	F03-F05	9/11/14
20	F05	9/11/14
25	F05	11/14
32	F05	11/14
40	F05-F07	11/14/17
50	F05-F07	11/14/17
65	F07	17
80	F07	17 / 22
100	F07-F10	17/22

5. INSTALACIÓN

Antes de empezar el proceso de instalación, comprobar que se poseen todas las partes necesarias para el ensamblaje de la válvula, y que los materiales, tipo de conexión y presión de trabajo son adecuados para la instalación.

Para uniones encoladas o soldadas, asegurarse también que las partes a unir son del mismo material y que se está usando el adhesivo o herramientas de soldado adecuadas.

Para instalar la válvula, seguir las recomendaciones de instalación correcta proporcionadas en la website de Cepex, prestando particular atención a la expansión termal y alineación de tubería.

Al llenar las tuberías con líquido, comprobar que todo el aire ha sido purgado del sistema y que la presión inicial no supera la presión de trabajo de la válvula, o del elemento del sistema con la menor presión nominal.

Instalar la válvula teniendo en cuenta la dirección del flujo marcada en el cuerpo de la válvula (aguas abajo).

Instalar la válvula una vez los manguitos de unión han sido encolados y se ha pasado el tiempo de secado, para evitar problemas con el adhesivo (entrada en el cuerpo de la válvula).

La válvula se suministra montada de fábrica y se deben seguir los siguientes pasos para su instalación:

1. Comprobar que el diámetro de la tubería se corresponde con el diámetro interior del maguito de unión (si es por encolado).
 2. Ajustar la válvula a la instalación dejando la tuerca (3) Fig. 6 en la tubería antes de encolar el manguito de unión (5) Fig. 7.
 3. Dejar una distancia exacta entre los manguitos de unión (Fig. 8), de tal manera que el cuerpo de la válvula pueda ser introducido entre ellos, y no quede tenso entre los dos extremos de tubería.
 4. Las uniones encoladas se realizarán limpiando anteriormente las áreas a unir con un disolvente adecuado y aplicando adhesivo más adelante. No se recomienda aplicar presión hasta transcurridas 24 horas después del encolado.
- En la operación de encolado se debe separar el cuerpo de los manguitos de unión, para prevenir que el adhesivo dañe las partes internas de la válvula.
5. En las uniones roscadas se usará cinta de PTFE en las uniones macho: "es muy importante no usar una cantidad excesiva, ya que puede causar la rotura de la unión hembra".

Fig. 6

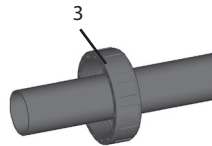
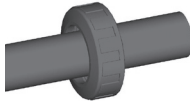


Fig. 7

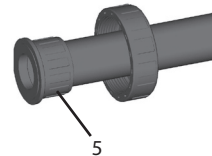
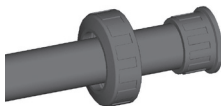
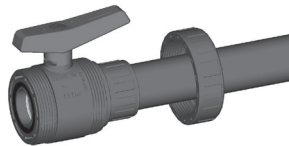
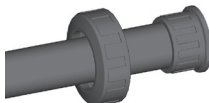


Fig. 8



6. FUNCIONAMIENTO DEL ACTUADOR

La válvula actuada consiste en un actuador electrónico montado en una válvula convencional.

OPERACIÓN Al recibir un señal eléctrico, el motor gira a la posición "ABIERTO" o "CERRADO" dependiendo de la señal del interruptor hasta que la leva interna conecta con el microswitch, dando la señal de paro al motor. Cuando vuelve a recibir otra señal eléctrica, el motor gira en dirección contraria.

- Motor reversible monofase con indicador visual de posición y señal de salida.

- Aplicación: Giro de 90° (o 180° en el caso de válvula de bola de 3 vías).

- Disponible en configuración AC o DC. Ambas posiciones disponibles en el mismo actuador. Seguir el diagrama de conexión en la etiqueta del actuador.

- Operación manual de emergencia. Posicionando la palanca en M (Manual) automáticamente desconectará el motor.

- Contactos adicionales auxiliares para señal de transmisión de posición.

- **ADVERTENCIA.** No conectar nunca actuadores de bajo voltaje a fuentes de alto voltaje. Igualmente, no conectar actuadores de alto voltaje a fuentes de bajo voltaje. El actuador no funcionará y puede causar daños irreparables en el equipo.

Características J+J

- Temperatura controlada por termostato: Incorporación de un sistema de calefacción controlado por termostato de 4W, asegura una temperatura de trabajo entre 20°C y 30°C (68°F a 86°F). Para que el sistema funcione correctamente es importante mantener el voltaje en funcionamiento a través del actuador.

- Seguridad: El actuador cuenta con un sistema automático electrónico de cierre en caso de que el par máximo sea excedido. En caso de esta circunstancia, el equipo puede ser operado manualmente a través del volante en el actuador.

- Un LED interno en funcionamiento permanente indica que el actuador funciona correctamente. Cuando empieza a parpadear, significa alguna irregularidad y automáticamente la alimentación del actuador se desconecta.

Accesorios opcionales:

- Sistema posicionador digital

- Bloque de seguridad. Batería independiente que proporciona corriente al actuador en caso de fallo de suministro.

5.1 CUMPLIMIENTO DE STANDARDS

Actuador J+J

ISO 5211 - DIN 3337 (conexión a válvula) EN 60204 (seguridad)

EN 50081-1 / EN 50081-2 / EN 50082-1 / EN 50082-2 / EN 61000-4-2 / EN 61000-4-3 / EN 61000-4-4 / EN 61000-4-5 / EN 61000-4-6 / EN 61000-4-11 (compatibilidad electromagnética)

Actuador Valves:

ISO 5211 - DIN 3337 (conexión a válvula)

EN 61000-6-2 / EN 61000-6-4 (compatibilidad electromagnética) EN 60947-1 (1999) (equipo de bajo voltaje)

7. OPERACIÓN E INSTRUCCIONES DE MANTENIMIENTO

Si la válvula se instala correctamente con la dirección del fluido en el mismo sentido que la flecha marcada en el cuerpo de la válvula, será posible realizar mantenimiento del sistema aguas abajo sin problemas. Simplemente cerrando la válvula, ésta actuará como tapón. Si por el contrario el mantenimiento requerido es aguas arriba, es esencial que no haya presión en el sistema cuando se desmonten el manguito y la tuerca.

Las operaciones descritas a continuación se realizarán siempre sin fluido en línea.

La válvula viene ajustada de fábrica para un funcionamiento correcto y prolongado. Sin embargo, es posible reajustar el apriete del porta-juntas sobre la válvula cuando las condiciones de uso lo requieran.

Esta operación deberá ser llevada a cabo con la ayuda de la herramienta proporcionada (Fig. 18).

Desmontar las tuercas de unión de la válvula (3) y separarlas del cuerpo. Colocar la herramienta en la ranura localizada en el porta-juntas (12) y girar la llave en sentido contrario a las agujas del reloj para apretar, en sentido de las agujas del reloj para aflojar. Si alguno de los componentes de la válvula se desgasta, éste puede ser reemplazado desmontando el cuerpo de la válvula. Para realizar esta operación, proceder igual que el ajuste del porta-juntas, pero girar en sentido de las agujas del reloj hasta que el porta-juntas (12) sea liberado. Una vez hecho esto, se podrán sustituir cualquiera de las juntas del cuerpo. Girar el eje de la válvula hasta que la bola quede en posición de cerrado; quitar la bola (2) y los asientos de bola (9).

Para reemplazar el eje, éste debe ser forzado como en la Fig.16. Una vez que el eje esté fuera (1) se podrán cambiar las juntas (7). Recordar que una presión excesiva en el porta-juntas puede afectar al funcionamiento y dañar la válvula.

El montaje será realizado mediante el proceso inverso, pero siempre teniendo la precaución de lubricar las juntas con aceite de PTFE. No usar nunca grasa o aceites minerales que puedan atacar al material de las juntas.

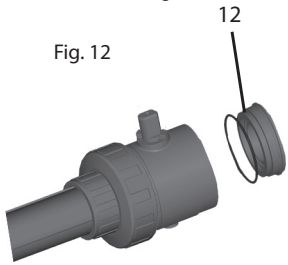


Fig. 12

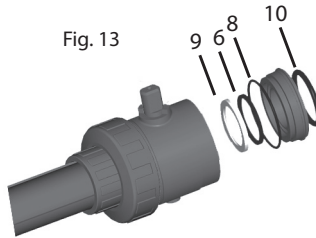


Fig. 13

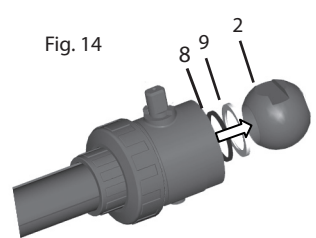


Fig. 14

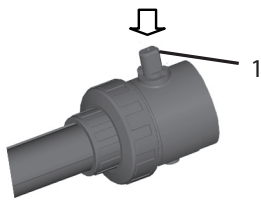


Fig. 16



Fig. 17

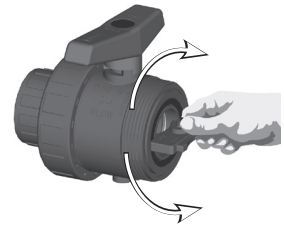


Fig. 18

8. INSTRUCCIONES DE MONTAJE / DESMONTAJE

Si es necesario reemplazar el actuador o la válvula, proceder de la siguiente manera:

1. Mover la válvula a posición cerrada.
2. Despresurizar y drenar el sistema.
3. Despresurizar el medio de control.
4. Retirar las líneas de medio de control del actuador.
5. Retirar los tornillos (A)
6. Retirar el actuador (4) de la válvula.
7. Retirar los tornillos (B) para separar la brida de fijación.
8. En caso de querer sustituir el actuador por una maneta, retirar también el casquillo de conexión (3).

Para montar un nuevo actuador o una nueva válvula, proceder a realizar los pasos anteriores en sentido contrario.

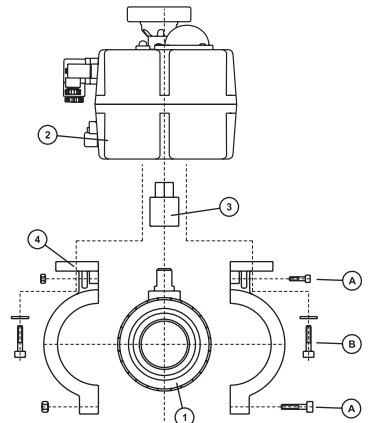


Fig. 19

10. SOLUCIÓN DE PROBLEMAS

T 9.1

PROBLEMA	POSIBLE CAUSA	SOLUCIÓN
Fuga en el cuerpo de la válvula.	Deterioro de la junta del cuerpo.	Cambio de la junta.
	Portajuntas con falta de presión.	Ajuste del porta-juntas.
	Presencia de sólidos o elementos extraños.	Desinstalar la válvula y reemplazar las partes dañadas.
Fuga por el eje de la válvula.	Desgaste de las juntas del eje.	Cambio de las juntas.
Par de apertura/cierre excesivo o válvula bloqueada.	Portajuntas con presión excesiva.	Ajuste del porta-juntas.
La válvula no abre o no cierra.	Falta de corriente.	Comprobar la fuente de alimentación del actuador.
La válvula no cierra completamente.	El par del actuador no está bien ajustado con el de la válvula.	Comprobar los ajustes de acuerdo con el manual del actuador.
	El par de la válvula ha crecido por encima del valor calculado.	Comprobar la válvula: obstrucciones en la bola o mal funcionamiento.

Important : Le présent manuel d'instructions contient des informations importantes relatives aux mesures de sécurité qu'il faut suivre lors de l'installation et la mise en marche du matériel. Il est par conséquent important pour l'utilisateur de lire ces instructions avant l'installation et la mise en marche du présent produit.

Veillez lire attentivement les instructions ci-dessous afin de profiter des performances optimales de votre robinet avec actionneur.

Les symboles suivants    indiquent un danger potentiel si les présentes instructions ne sont pas respectées.


DANGER. Risque d'électrocution. Vous risquez d'être électrocuté si vous ne respectez pas les présentes instructions.

DANGER. Le non-respect des présents conseils peut occasionner des dommages corporels ou à l'appareil.


MISE EN GARDE. Vous risquez d'endommager le robinet ou le dispositif automatique si vous ne respectez pas les présentes instructions.

CONSIGNES GÉNÉRALES DE SÉCURITÉ

Les robinets présentés dans le ce manuel sont spécialement conçus pour assurer la bonne circulation du flux dans toutes les phases du travail.

 Le dispositif doit être installé conformément aux instructions spécifiques pour chaque installation. Toute législation en matière de sécurité doit absolument être respectée afin d'éviter tout accident.

Toute modification de l'actionneur pneumatique exige une autorisation préalable du fabricant. Les pièces détachés et les accessoires autorisés par le fabricant constituent la garantie d'une meilleure sécurité. Le fabricant du présent robinet avec actionneur décline toute responsabilité en cas de dommage lié à toute pièce détachée ou tout accessoire non autorisé.

 Les pièces électriques et pneumatiques de ce dispositif sont alimentées en courant électrique pendant leur fonctionnement. Tout travail sur le robinet automatique ou tout autre dispositif connexe ne doit s'effectuer qu'après avoir déconnecté le mécanisme de démarrage.

L'utilisateur doit s'assurer que tout travail d'assemblage ou de maintenance soit exclusivement exécuté par le personnel qualifié ou dûment autorisé et que celui-ci ait au préalable lu les instructions de montage et d'entretien contenues dans le présent manuel.

Un usage approprié du présent robinet avec actionneur ne peut être garanti que si vous respectez scrupuleusement les présentes instructions de montage et d'entretien.

Les limites de pression d'air et de tension ne doivent en aucun cas être dépassées.

En cas de dysfonctionnement ou de panne, contactez-le représentant d'usine le plus proche ou le service d'assistance technique. Les chocs doivent être évités pendant le transport dans la mesure où ils peuvent être à l'origine des dommages sur la structure et le mécanisme du robinet.

Conservez le robinet dans son emballage d'origine et protégez-la de l'humidité et des rayons du soleil.


MISES EN GARDE RELATIVES À LA ROBINET À BOISSEAU ÉLECTRIQUE

La durée d'utilisation maximale du robinet est indiquée par la norme EN ISO 16135 :2007. Elle a été vérifiée à l'usine grâce aux tests de vieillissement prescrits par ladite norme.

L'installation et la manipulation adéquates du robinet ainsi que le respect des conditions maximales de température et de pression indiquées dans le présent manuel sont importantes afin de préserver la durée de vie du robinet.


Liquide à transporter doit être compatible avec les matériels du robinet. Consultez les diagrammes de résistance aux produits chimiques publiés par Cepex ou contactez le service technique.

L'usage des outils pour ouvrir ou fermer le robinet de commande manuelle n'est pas recommandé.

 Avant d'entamer tout travail de maintenance sur le tuyau ou le robinet, assurez-vous que le système a été dépressurisé en relâchant la pression et en vidant les tuyaux, suivant les règles de sécurité spécifiques pour chaque produit.


Avant de procéder à l'installation, assurez-vous que le robinet n'est pas endommagé et qu'elle contient toutes les pièces requises pour l'installation.

Après une longue période d'inutilisation, vérifiez la graisse sur les joints annulaires et suivez les instructions de maintenance contenues dans le présent manuel. La graisse doit être compatible avec les matériaux du robinet.


 Il faut éviter la fermeture rapide des robinets afin d'éliminer la possibilité des coups de bélier provoquant des dommages au système.

Lors de l'utilisation du robinet en tant qu'élément d'installation, les risques d'écoulement doivent être pris en compte, la pression et la température doivent être contrôlée suivant les normes de sécurité pour chaque produit.

Établissez toutes les connexions en suivant les instructions relatives à l'alimentation électrique définies dans le présent manuel. Assurez-vous que tous les câbles sont bien connectés.

 Si la boîte à l'extrémité du tronçon doit être ouverte, lorsqu'elle est refermée, vérifiez qu'elle est correctement positionnée afin d'éviter tout contact avec de l'eau. Vérifiez également que les connecteurs sont correctement positionnés.

Évitez en permanence tout contact, même accidentelle, avec les pièces mobiles du robinet actionnée pendant le fonctionnement et / ou avant son arrêt complet.


 Assurez-vous que les mécanismes de démarrage sont bloqués avant d'entamer tout travail de maintenance électrique ou pneumatique. Les étapes suivantes doivent être respectées avant toute modification du robinet avec actionneur :

1.- Déconnectez de la source d'alimentation principale.

2.- Bloquez les mécanismes de démarrage du système ;

3.- Assurez-vous qu'il n'y a pas de tension dans les circuits, y compris les circuits parallèles ainsi que les services supplémentaires ;

Toutes les étapes ci-dessus doivent être considérées à titre indicatif et ne sont pas directement liées aux procédures de sécurité, dans la mesure où une réglementation spécifique en matière de sécurité peut exister dans certains cas.

 **IMPORTANT :** Compte tenu de la complexité du sujet, les instructions relatives à l'installation, l'usage et la maintenance contenues dans le présent manuel ne sont pas conçus pour répondre à tous les scénarii d'entretien et de maintenance imaginables. Si vous avez besoin de plus d'instructions ou si vous rencontrez des problèmes, n'hésitez pas à contacter le distributeur ou le fabricant du robinet.

1. DEFINITION

Robinet à boisseau pour l'isolation du flux dans les systèmes de manutention des liquides.
 Conçu suivant la norme EN ISO 16135 :2007.

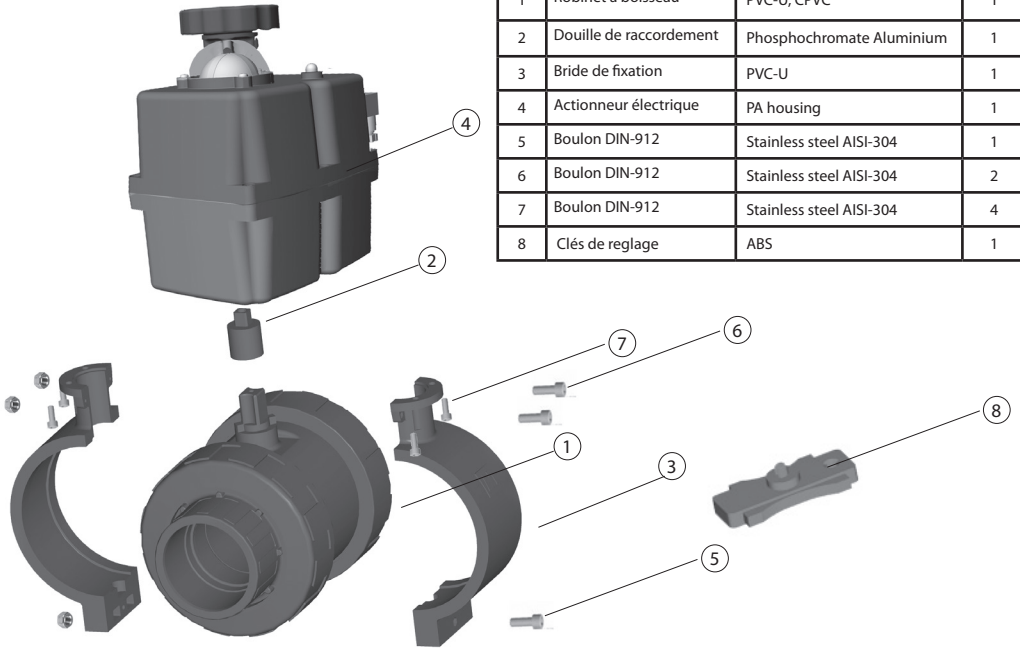
Le robinet est disponible avec des structures en PVC-U et CPV-C ainsi que des joints d'étanchéité en EPDM et FPM. Le choix du matériel de la structure et des joints d'étanchéité dépend du type de liquide à transporter ainsi que la température de mise en œuvre du liquide conformément aux tableaux de résistance aux agents chimiques disponibles sur notre site internet tout comme sur le diagramme de température / pression du présent manuel.

L'actionneur électrique contrôle les positions du robinet (fermé/ouvert).

2. COMPOSANTS

2.1 Composants du robinet avec actionneur

Fig. 1



N	PIÈCES	MATERIAL	Q
1	Robinet à boisseau	PVC-U, CPVC	1
2	Douille de raccordement	Phosphochromate Aluminium	1
3	Bride de fixation	PVC-U	1
4	Actionneur électrique	PA housing	1
5	Boulon DIN-912	Stainless steel AISI-304	1
6	Boulon DIN-912	Stainless steel AISI-304	2
7	Boulon DIN-912	Stainless steel AISI-304	4
8	Clés de réglage	ABS	1

2.2 Composants du robinet

Fig. 2

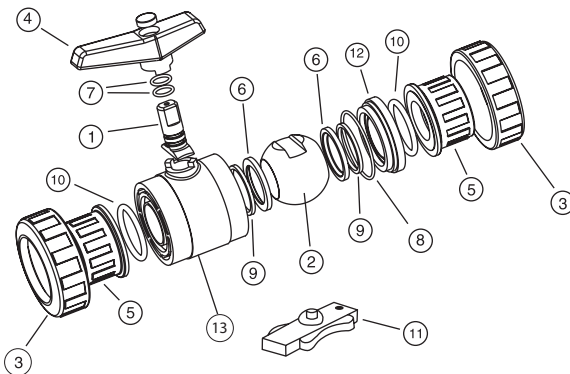


FIG.	Pieces	Material
1	Axe	PVC-U / CPVC
2	Boisseau	PVC-U / CPVC
3	Ecrou	PVC-U / CPVC
4	Poignée	PP
5	Collet	PVC-U / CPVC
6	Garniture du b.	HDPE / PTFE
7	Joint de l'axe	EPDM / FPM
8	Joint du corps	EPDM / FPM
9	Joint siège	EPDM / FPM
10	Joint du collet	EPDM / FPM
11	Clés de réglage	ABS
12	Porte-joint	PVC-U / CPVC
13	Corps	PVC-U / CPVC

3. ROBINET À BOISSEAU

3.1 VÉRIFICATION DU TYPE DE ROBINET

Lors de l'ouverture de l'emballage, veuillez-vous assurer que le robinet est le modèle commandé.

Assurez-vous que le modèle de l'actionneur correspond au numéro de code commandé. Assurez-vous surtout que la tension indiquée sur l'étiquette de l'actionneur correspond à celui de votre source d'alimentation principale (les actionneurs ne prennent pas en compte les robinets et, par conséquent, une tension incorrecte peut causer des dommages irréversibles sur le dispositif.

Tous les robinets sont testés de manière électrique et hydraulique à l'usine. Les robinets seront toujours remplacés en cas de toute réclamation justifiée.

Pour plus d'informations techniques concernant les actionneurs, veuillez-vous référer aux manuels d'instructions jointes à la documentation du robinet.

3.2 GARANTIE

Ce dispositif a été testé à plusieurs reprises à l'usine d'où la garantie de son bon fonctionnement. Cette garantie est assurée si le dispositif a été bien installé et non mal utilisé. Pour cette raison, cet équipement doit être installé par une personne dûment qualifiée.

3.3 CARACTERISTIQUES TECHNIQUES

Diagramme pression / température (G 3.1)

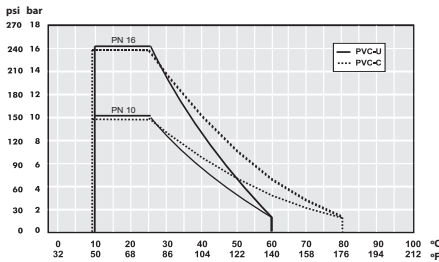
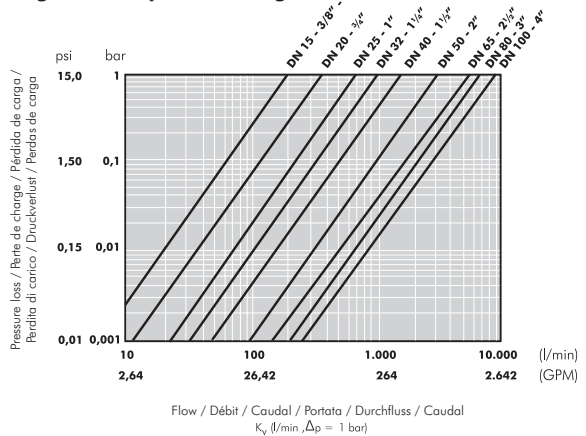


Diagramme de perte de charge (G 3.3)



Perte de charge (T3.3)

DN	D	Kv (l/min)	Cv (GPM)
10	16	75	5,3
15	20	190	13,3
20	25	380	26,6
25	32	690	48,3
32	40	980	68,6
40	50	1600	112
50	63	3000	210,1
65	75	5500	385,2
80	90	6800	476,2

Valve design	Valve connections	Actuator coupling
EN ISO 16135:2007	Threads: ISO 7-1, ISO 228-1 Flanges: EN 558-1, EN 1092-1 Solvent socket: ISO 15493	EN/ISO 5211

Couple de fonctionnement du robinet

Valeurs du couple de fonctionnement au niveau de pression (PN) et 20 °C tels que fournis par défaut de l'usine. Les conditions d'installation et de fonctionnement (pression et température) peuvent influencer sur ces valeurs.

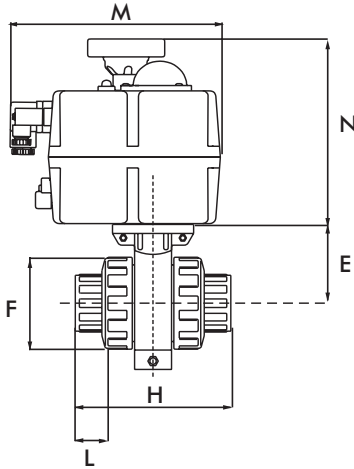
L'actionneur requis pour un fonctionnement automatique doit être calculé suivant certains facteurs de sécurité déterminés au préalable lors des tests effectués en usine.

Couple (N·m) (T3.2)

	DN15	DN20	DN25	DN32	DN40	DN50	DN65	DN80	DN100
N·m	1	2	3,5	3,5	5	15	25	45	58
lbf·inch	8,9	17,7	31	31	44,3	132,8	221,3	398,3	514

4. DIMENSIONS

Fig. 3



T 4.1(mm)

DN	D/G	L	H	E	F
15	16 - 3/8"	14	84	64	52
15	20 - 1/2"	16	84	64	52
20	25 - 3/4"	19	108	64	62
25	32 - 1"	22	124	74	70
32	40 - 1 1/4"	26	142	74	84
40	50 - 1 1/2"	31	167	88	104
50	63 - 2"	38	198	88	120
65	75 - 2 1/2"	44	232	123	148
80	90 - 3"	51	269	123	179
100	110 - 4"	63	359	165	228

Consultez les manuels de l'actionneur et de l'interrupteur de fin de course afin de vérifier les dimensions M et N.

Dimensions fixation (T4.2)

DN	ISO FLANGE	SQUARE OPTIONS (mm)
15	F03-F05	9/11/14
20	F05	9/11/14
25	F05	11/14
32	F05	11/14
40	F05-F07	11/14/17
50	F05-F07	11/14/17
65	F07	17
80	F07	17 / 22
100	F07-F10	17/22

5. INSTALLATION ET MISE EN SERVICE

Avant de commencer le processus d'installation, vérifiez que toutes les pièces nécessaires à l'assemblage du robinet sont disponibles et que les matériaux, le type de connexion et la pression nominale sont appropriés pour l'installation. Pour les assemblages soudés ou aux solvants, assurez-vous que les pièces à connecter sont du même matériau et que le solvant ou les outils appropriés pour souder sont utilisés.

Afin d'installer le robinet, suivez les meilleures recommandations pratiques d'installation sur le site internet de Cepex en portant une attention particulière à l'expansion thermique et l'alignement du tuyau.

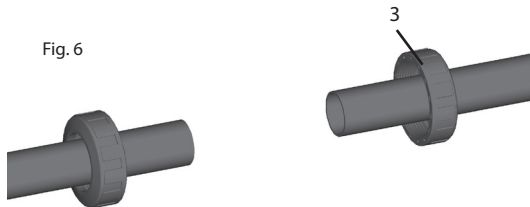
Lors du remplissage des tuyaux avec du liquide, vérifiez que tout l'air a été éliminé du système et que la pression initiale ne dépasse pas la pression nominale du robinet ou de l'élément de système avec le plus faible niveau de pression nominale.

Installez le robinet orienté dans le sens du flux marqué sur la structure du robinet (en aval).

Installez le robinet une fois les emboitements soudés à froid et séchés afin d'éviter les problèmes d'adhésion (pénétration de ce dernier dans le robinet).

La vanne est livrée assemblée à l'usine et les étapes suivantes doivent être respectées lors de son installation :

1. Vérifiez que le diamètre du tuyau correspond à la partie interne de l'extrémité du connecteur (s'il s'agit d'un emboîtement à solvant).
2. Ajustez le robinet à l'installation en laissant l'écrou d'union (3) Fig. 6 sur le tuyau avant l'encollage de l'extrémité du connecteur (5) Fig.7.
3. Laissez une distance exacte entre les connecteurs de l'extrémité (voir Fig. 8), pour que la structure du robinet puisse être introduite facilement afin d'éviter qu'elle ne soit tendue par les deux extrémités de la tuyauterie.
4. Les emboîtements à solvant sont réalisés en nettoyant les zones à joindre avec un solvant approprié puis en rajoutant de l'adhésif. Il est déconseillé d'y appliquer la pression jusqu'à 24 heures après le collage.
- La structure des connecteurs d'extrémité doit être séparée pendant le fonctionnement au solvant, pour d'éviter que l'adhésif n'endommage les pièces internes du robinet.
5. Du ruban en PTFE est utilisé sur les filetages mâles des raccords filetés : "il est très important de ne pas utiliser une grande quantité dans la mesure où lorsqu'il est mélangé, il pourrait causer la rupture du boîtier femelle".



6. FONCTIONNEMENT DE L'ACTIONNEUR

Le robinet avec actionneur est constituée d'un actionneur électronique monté sur un robinet conventionnel.

FONCTIONNEMENT. Lorsqu'un signal électrique est reçu, le moteur tourne soit à "OUVERT" soit à "FERMÉ" en fonction du signal de commutation jusqu'à ce que la came interne se connecte au microrupteur, ramenant ainsi le moteur à l'arrêt. Lorsqu'il reçoit de nouveau un signal électrique, le moteur tournera dans la direction opposée.

- Moteur monophasé réversible avec indicateur de position visuelle et signal de sortie.

- Applications : Pour des tours de 90° (ou de 180° dans le cas du robinet à boisseau à trois voies).

- Les deux alimentations électriques AC et DC. Les deux positions sont possibles sur le même actionneur. Il faut toujours se référer au schéma de connexion sur l'étiquette de l'actionneur.

- Fonctionnement manuel d'urgence. Le moteur sera automatiquement déconnecté si vous mettez le levier à la position M (Manuel).

- Des contacts auxiliaires supplémentaires pour signal de position de transmission.

- MISE EN GARDE. Ne pas connecter des actionneurs de basse tension aux sources à tension plus élevée. De même, ne pas connecter les actionneurs de haute tension aux sources de faible tension. Les actionneurs ne disposent pas de fusibles et des tensions incorrectes peuvent entraîner des dommages irréversibles au dispositif.

Caractéristiques J+J

- Température contrôlée par thermostat : Intégration d'un système de chauffage de 4W contrôlé par thermostat, température de fonctionnement entre 20°C et 30°C (68°F à 86°F). Afin que le système fonctionne correctement, il est important de maintenir la tension à travers l'actionneur.

- Sécurité : L'actionneur dispose d'un système d'arrêt électronique automatique si le couple maximal est dépassé. Si cela advient, le dispositif pourra fonctionner manuellement si vous utilisez le bouton indicateur de l'actionneur.

- Une lumière DEL interne allumée en permanence indique que l'actionneur fonctionne correctement. Si elle commence à clignoter, cela signifie que quelque chose ne va pas et la source d'alimentation électrique de l'actionneur va automatiquement s'arrêter.

Accessoires optionnels :

- Système de positionnement numérique

- Bloc de sécurité. Terminal indépendant fournissant de l'énergie électrique à l'actionneur en cas de coupure de courant.

5.1 CONFORMITÉ AUX NORMES

Actionneur J+J

ISO 5211 - DIN 3337 (raccord de robinet) EN 60204 (sécurité)

EN 50081-1 / EN 50081-2 / EN 50082-1 / EN 50082-2 / EN 61000-4-2 / EN 61000-4-3 / EN 61000-4-4 / EN 61000-4-5 / EN 61000-4-6 / EN 61000-4-11 (compatibilité électromagnétique)

Actionneur de robinet :

ISO 5211 - DIN 3337 (raccord de robinet)

EN 61000-6-2 / EN 61000-6-4 (compatibilité électromagnétique) EN 60947-1 (1999) (dispositif basse tension)

7. INSTRUCTIONS RELATIVES AU FONCTIONNEMENT ET A LA MAINTENANCE

Si le robinet est bien installé dans le sens du flux marqué sur la structure, il est possible d'effectuer la maintenance en aval sans aucun problème. En fermant tout simplement le robinet, elle agit comme une prise. Si par contre il faut procéder à la maintenance en amont, il faut qu'il n'y ait pas de pression dans le circuit lors de la séparation de l'écrou d'union et le connecteur d'extrémité. Il faut en permanence effectuer les opérations ci-dessous sans utiliser de fluide.

Le robinet est réglé à l'usine pour un usage approprié et prolongé. Néanmoins, le resserrement du joint d'étanchéité sur la bille peut être réajusté lorsque les conditions d'utilisation l'exigent.

Cette opération doit être effectuée en utilisant l'outil fourni (Fig.18).

Démontez les écrous d'union du robinet (3) et retirez-les de leur emballage. Insérez l'outil dans la fente sur les supports de joint prévus à cet effet (11), puis tournez la clé dans le sens inverse des aiguilles d'une montre pour serrer le joint annulaire et dans le sens des aiguilles d'une montre pour le desserrer. Si l'un des composants du robinet s'use, il peut être remplacé en démontant la structure du robinet. A cet effet, procédez de la même manière qu'avec le réglage mais tournez dans le sens des aiguilles d'une montre jusqu'à ce que les supports de joint (12) soient démontés. Lorsque cela a été fait, tout joint annulaire de la structure peut être remplacé. Tournez l'arbre jusqu'à ce que la bille soit en position fermée ; retirez la bille (2) et retirez les sièges de rotule (9). Pour remplacer l'arbre, il faut procéder en forçant tel qu'indiqué sur la Fig.16. Une fois l'arbre démonté (1), les joints annulaires peuvent être remplacés (7). Rappelez-vous qu'exercer une trop grande force sur les supports de joint peut influencer sur l'action et perturber le fonctionnement du robinet.

L'assemblage peut être effectué en suivant le processus inverse tout en prenant le soin de lubrifier les joints annulaires avec de l'huile PTFE. N'utilisez pas de la graisse ou des huiles minérales car elles peuvent attaquer le matériau des joints annulaires.

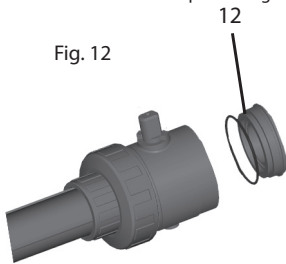


Fig. 12

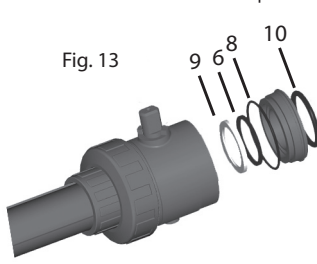


Fig. 13

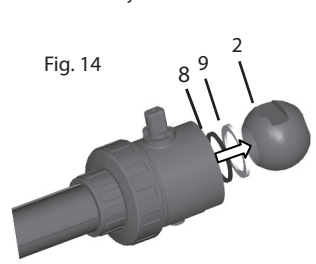


Fig. 14

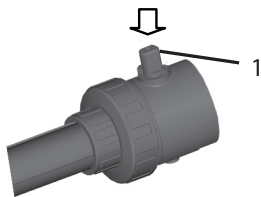


Fig. 16



Fig. 17

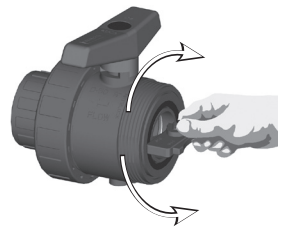


Fig. 18

8. MONTER ET DEMONTER L'ACTIONNEUR

Si l'actionneur ou le robinet doit être remplacé, procédez de la manière suivante :

1. Déplacez le robinet à boisseau à la position fermée.
2. Dépressurisez et vidanger la partie opérative ou le composant d'usine.
3. Dépressurisez l'agent de commande.
4. Retirez la/les ligne(s) de l'agent de commande de l'actionneur.
5. Retirez les vis (A)
6. Séparez l'actionneur électrique (4) du robinet à arbre nue.
7. Retirez les vis (B) afin de retirer la pince de montage.
8. Si l'actionneur doit être remplacé par un bouton indicateur, démontez également la douille d'accouplement (3).

Afin de monter un nouvel actionneur ou un nouveau robinet, suivez la procédure inverse de celle qui précède.

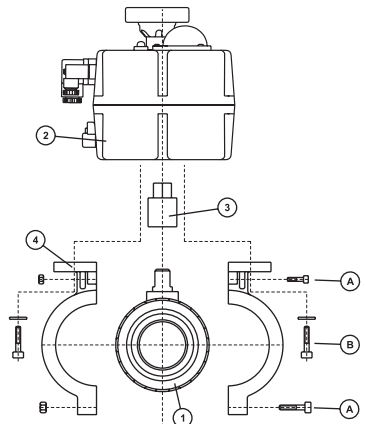


Fig. 19




10. DÉPANNAGE

T 9.1

PANNE	CAUSE PROBABLE	REPARATION DE LA PANNE
Fuite sur la structure du robinet.	Montage du joint annulaire de la structure.	Changement du joint annulaire.
	Desserrage du support de joint.	Ajustement du support de joint.
	Présence de matières solides ou étrangères.	Retirez le robinet et remplacez les pièces endommagées.
Fuite sur l'arbre du robinet.	Usure des joints annulaires de l'arbre.	Changement des joints annulaires.
Le couple est trop serré ou le robinet est bloqué.	Le support de joint est trop serré.	Ajustement du support de joint.
La robinet ne s'ouvre et ne se ferme pas.	Manque de courant.	Vérifiez la source d'alimentation de l'actionneur en courant.
Le robinet ne se ferme pas hermétiquement.	La course de l'actionneur n'est pas bien ajustée au robinet.	Vérifiez les limites de réglage suivant le manuel de l'actionneur.
	Le couple du robinet a connu une augmentation au-dessus de la valeur calculée.	Vérifiez le robinet : des obstacles dans le disque ou mauvais fonctionnement du robinet.

Importante: Este manual de instruções contém as informações essenciais sobre as medidas de segurança a adoptar na instalação e no funcionamento do equipamento. Daí a importância que leia estas instruções antes de instalar e utilizar este equipamento.

Para a obtenção de um melhor desempenho da válvula accionada, por favor leia atentamente as seguintes instruções.

Estes símbolos    indicam potenciais perigos se as recomendações aqui indicadas não forem seguidas.

PERIGO. Risco de electrocussão. Não seguir as recomendações pode causar electrocussão. **PERIGO.** Não seguir as recomendações pode resultar em danos pessoais ou danos no equipamento.

AVISO. Não seguir as recomendações pode resultar em danos na válvula automática ou no equipamento.

RECOMENDAÇÕES GERAIS DE SEGURANÇA

As válvulas descritas neste manual foram especialmente concebidas para garantir a correcta circulação do fluxo em todas as fases de trabalho.

O equipamento deve ser instalado de acordo com as instruções específicas. As medidas de segurança devem ser sempre respeitadas.

Qualquer alteração ao actuador deve ser feita com a autorização prévia do fabricante. As peças e acessórios aprovados são uma garantia de maior segurança.

O fabricante da válvula motorizada não assume qualquer responsabilidade por danos causados pelo uso de peças ou acessórios não aprovados.

Durante o funcionamento, os componentes eléctricos ou electrónicos recebem corrente. O trabalho sobre a válvula automática ou outros equipamentos relacionados só pode ser executado depois de desligar o motor de arranque.

O utilizador deve assegurar-se que os trabalhos de montagem e manutenção são sempre realizados por pessoal autorizado e qualificado, e que este último tenha lido as instruções de instalação e manutenção contidas neste manual.

A segurança operacional da válvula accionada só pode ser garantida com o estrito cumprimento das instruções de instalação e utilização. Os limites de voltagem não podem ser excedidos em nenhuma circunstância.

Em caso de falha ou avaria, entre em contacto com o representante da fábrica mais próximo ou com a assistência técnica da fábrica. Evite danos durante o transporte, pois eles podem danificar a válvula ou o mecanismo da válvula.

Armazenar a válvula na sua embalagem original para a proteger contra humidade e a exposição luz solar directa.

AVISOS SOBRE A VÁLVULA DE ESFERA PNEUMÁTICA

A vida útil máxima da válvula é especificada na norma EN ISO 16135:2007. Isto foi verificado na fábrica com ensaios de envelhecimento especificados na norma.

A correcta montagem e o bom funcionamento da válvula, assim como o cumprimento das condições de pressão máxima e temperatura especificadas neste manual são essenciais para preservar a vida útil da válvula.

O líquido conduzido deve ser compatível com os materiais da válvula. Consulte a tabela de resistência química publicada no site da Cepex ou consultar o departamento técnico.

Não é recomendado a utilização de ferramentas para abrir ou fechar a válvula de controlo manual.

Antes de efectuar a manutenção na tubagem ou na válvula, verifique se o sistema está despressurizado, libertando a pressão e esvaziando os tubos, seguindo as normas de segurança específicas de cada elemento.

Antes da instalação, verifique se a válvula não está danificada e se contém todas as peças necessárias para a instalação.

Após longos períodos de inactividade, verifique a massa das juntas e siga as instruções de manutenção contidas neste manual. A massa deve ser compatível com os materiais da válvula.

É importante evitar o fecho rápido de válvulas para eliminar a possibilidade de choques de pressão (golpes de ariete), que causam danos no sistema.

Quando a válvula é utilizada como o elemento final de uma instalação, deve considerar os riscos que o líquido pode causar e deve controlar a pressão e a temperatura, de acordo com as normas de cada produto.

Fazer todas as ligações seguindo as instruções indicadas no manual de instruções relativas ao fornecimento eléctrico. Certifique-se de que todos os cabos estão ligados correctamente.

Se precisar de precisar de abrir a caixa de interruptor de fim de curso, para fechá-la novamente, verifique se está correctamente colocada para evitar qualquer contacto com a água. Verifique também se os conectores estão correctamente situados.

Em qualquer circunstância, evitar o contacto, mesmo que acidentalmente, com as partes móveis da válvula accionada durante a operação e / ou antes que tenha fechado por completo.

Antes de iniciar qualquer manutenção eléctrica, assegure-se que os mecanismos de arranque estão bloqueados. Recomendamos que siga os seguintes passos antes de proceder a qualquer alteração da válvula accionada:

1. Desligue da alimentação eléctrica.

2. Bloquee os sistemas de arranque do sistema.

3. Certifique-se de que nenhuma corrente a atravessar os circuitos, incluindo circuitos auxiliares e serviços complementares.

Todos os itens acima devem ser tomados como indicativos e não directamente ligados a procedimentos de segurança, porque, em alguns casos, pode haver normas de segurança específicas.

IMPORTANTE: Como resultado da complexidade do tema, as instruções para a instalação, utilização e manutenção contidas neste manual não contemplam todos os casos possíveis de serviço e manutenção. Se precisar de mais informações ou se se deparar com problemas específicos, por favor não hesite em contactar o seu fornecedor ou o fabricante da válvula.

1. DESCRIÇÃO

Válvula de esfera para interromper a passagem de fluxo em sistemas de condutas de líquidos.

Design com base na EN ISO 16135:2007 Standard.

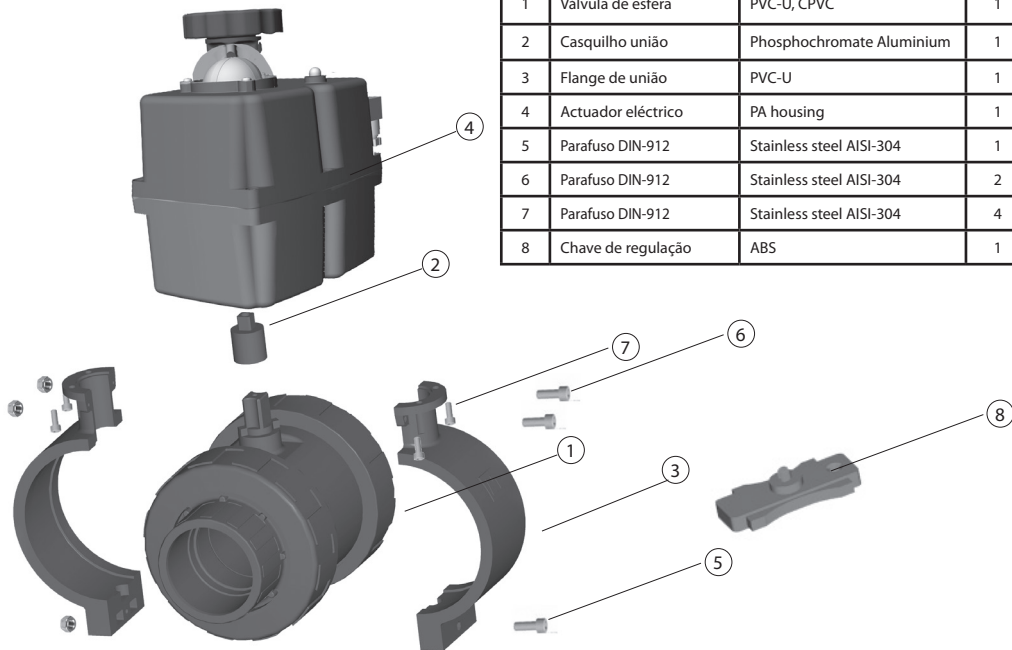
O corpo da válvula está disponível em PVC-U e CPVC e as juntas em EPDM e FPM. A escolha do material do corpo e das juntas depende do tipo de líquido a transportar e a temperatura do líquido, de acordo com os gráficos de resistência química disponíveis no nosso site e os gráficos pressão / temperatura neste manual.

O actuador eléctrico controla as posições da válvula (aberta / fechada).

2. COMPONENTES

Fig.1 Componentes da válvula accionada

N	PIÉCES	MATERIAL	Q
1	Válvula de esfera	PVC-U, CPVC	1
2	Casquilho união	Phosphochromate Aluminium	1
3	Flange de união	PVC-U	1
4	Actuador eléctrico	PA housing	1
5	Parafuso DIN-912	Stainless steel AISI-304	1
6	Parafuso DIN-912	Stainless steel AISI-304	2
7	Parafuso DIN-912	Stainless steel AISI-304	4
8	Chave de regulação	ABS	1



2.2 Componentes da válvula

Fig. 2

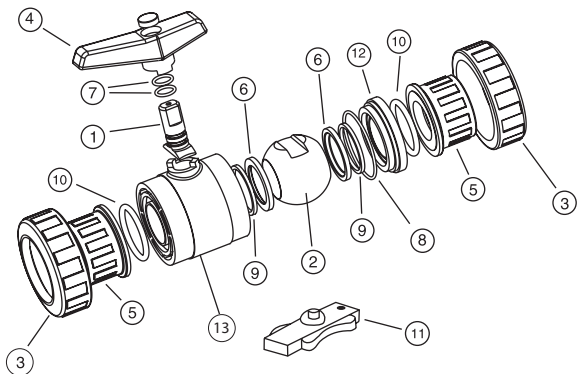


FIG.	Parte	Material
1	Eixo	PVC-U / CPVC
2	Esfera	PVC-U / CPVC
3	Porca	PVC-U / CPVC
4	Manípulo	PP
5	União	PVC-U / CPVC
6	Assentamento esf.	HDPE / PTFE
7	Junta eixo	EPDM / FPM
8	Junta corpo	EPDM / FPM
9	Junta amort.	EPDM / FPM
10	Junta colarinho	EPDM / FPM
11	Chave de reg.	ABS
12	Porta-juntas	PVC-U / CPVC
13	Corpo	PVC-U / CPVC

3. VÁLVULA DE ESFERA

3.1 VERIFICAÇÃO DO TIPO DE VÁLVULA

Após abrir a embalagem, verifique que a válvula é do modelo que pediu.

Verifique se o modelo do actuador corresponde com o código de pedido. Preste especial atenção para a corrente (voltagem) indicada na etiqueta do actuador se corresponde ao seu fornecimento de electricidade (a voltagem errada pode causar danos irreparáveis ao equipamento).

Todas as válvulas são: eléctrica e hidráulicamente testadas pelo fabricante. As válvulas serão substituídas sempre que apresentar uma justificação plausível.

3.2 GARANTIA

Este equipamento foi exaustivamente testado pelo fabricante para garantir que esteja em perfeitas condições de funcionamento. Esta garantia será aplicável partindo do princípio que a válvula foi instalada correctamente e não foi utilizado incorrectamente. Por esta razão, o equipamento deverá ser instalado por pessoal qualificado.

3.3 CARACTERÍSTICAS TÉCNICAS

Diagrama de pressão/temperatura (G 3.1)

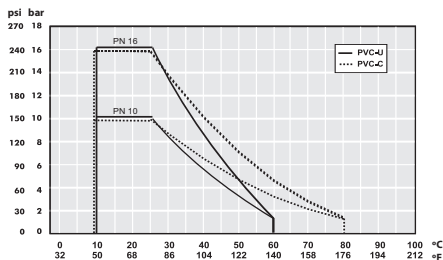
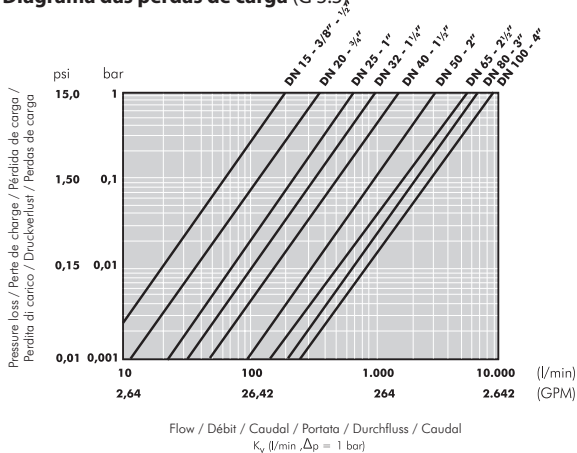


Diagrama das perdas de carga (G 3.3)



Perdas de carga (T3.3)

DN	D	Kv (l/min)	Cv (GPM)
10	16	75	5,3
15	20	190	13,3
20	25	380	26,6
25	32	690	48,3
32	40	980	68,6
40	50	1600	112
50	63	3000	210,1
65	75	5500	385,2
80	90	6800	476,2

Disenho da válvula	Conexões	Conexão actuador
EN ISO 16135:2007	Threads: ISO 7-1, ISO 228-1 Flanges: EN 558-1, EN 1092-1 Solvent socket: ISO 15493	EN/ISO 5211

Par de abertura da válvula

Par de abertura a pressão nominal (PN) e 20 ° C como vem de origem. A instalação e condições de operação (pressão e temperatura) podem afectar estes valores.

O actuador necessário para o funcionamento automático deve ser calculado de acordo com alguns factores de segurança foram determinados em ensaios testados pelo fabricante.

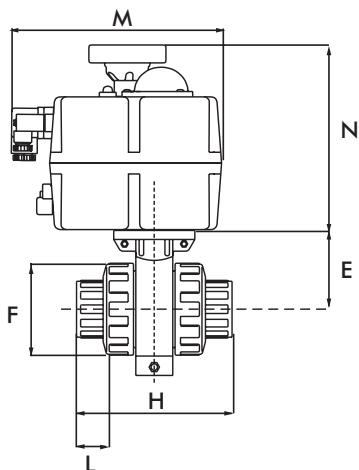
Par de abertura (N-m)

(T3.2)

	DN15	DN20	DN25	DN32	DN40	DN50	DN65	DN80	DN100
N-m	1	2	3,5	3,5	5	15	25	45	58
lbf-inch	8,9	17,7	31	31	44,3	132,8	221,3	398,3	514

4. DIMENSÕES

Fig. 3



T 4.1(mm)

DN	D/G	L	H	E	F
15	16 - 3/8"	14	84	64	52
15	20 - 1/2"	16	84	64	52
20	25 - 3/4"	19	108	64	62
25	32 - 1"	22	124	74	70
32	40 - 1 1/4"	26	142	74	84
40	50 - 1 1/2"	31	167	88	104
50	63 - 2"	38	198	88	120
65	75 - 2 1/2"	44	232	123	148
80	90 - 3"	51	269	123	179
100	110 - 4"	63	359	165	228

Consulte o manual do actuador para as dimensões M y N.

Dimensões união (T4.2)

DN	ISO FLANGE	SQUARE OPTIONS (mm)
15	F03-F05	9/11/14
20	F05	9/11/14
25	F05	11/14
32	F05	11/14
40	F05-F07	11/14/17
50	F05-F07	11/14/17
65	F07	17
80	F07	17 / 22
100	F07-F10	17/22

5. INSTALAÇÃO

Antes de iniciar a instalação, verifique se tem todos os elementos necessários para a montagem da válvula, e que os materiais, tipo de ligação e pressão de operação são os adequados para a instalação.

Para juntas coladas ou soldadas, assegure-se também que as peças a serem unidas são do mesmo material e que está a utilizar o adesivo ou ferramentas de soldadura adequadas.

Para instalar a válvula, siga as instruções de correcta instalação do site Cepex, prestando especial atenção à expansão térmica e alinhamento da tubagem.

Quando encher os tubos com líquido, verificar se todo o ar foi libertado do sistema e que a pressão inicial não exceda a pressão de trabalho da válvula ou do componente do sistema com a pressão nominal mais baixa.

Instalar a válvula, tendo em consideração o sentido do fluxo marcado no corpo da válvula (a jusante).

Instalar a válvula uma vez que as uniões foram coladas e passou o tempo de secagem de modo a evitar problemas com o adesivo (entrada no corpo de válvula).

A válvula é enviada já montada da fábrica e devem ser seguidos os seguintes passos para a sua instalação:

1. Verificar se o diâmetro da tubagem corresponde ao diâmetro interior (se for por colagem).
2. Ajustar a válvula à instalação deixando a porca (3) A Fig. 6 no tubo antes da colagem da braçadeira de ligação (5) A Fig. 7.
3. Deixar uma distância exacta entre as braçadeiras de ligação (Fig. 8), de modo a que o corpo de válvula possa ser inserido entre eles, e não fique esticado entre as duas extremidades do tubo.
4. As juntas a colar deverão ser limpas nas áreas a serem unidas com um dissolvente adequado e depois aplicar o adesivo. Não é aconselhável introduzir pressão até 24 horas após a colagem.
- Na colagem deve-se separar o corpo das braçadeiras de ligação, para impedir o adesivo danifique as peças internas da válvula.
5. Nas uniões roscadas deverá utilizar fita de PTFE nas roscas macho, "é muito importante não utilizar uma quantidade excessiva, pois poderá causar a ruptura da rosca fêmea".

Fig. 6

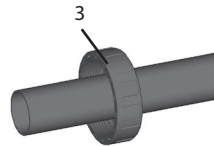
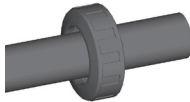


Fig. 7

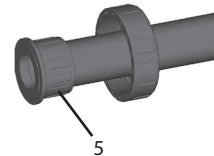
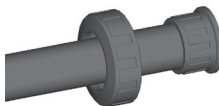
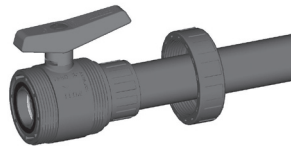
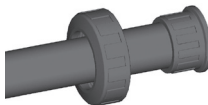


Fig. 8



6. FUNCIONAMENTO DO ACTUADOR

Válvula accionada é um actuador electrónico montado numa válvula convencional.

OPERAÇÃO: Ao receber um sinal eléctrico, o motor gira para a posição "aberto" ou "fechado", dependendo do sinal do interruptor até que a árvore de cames interna se ligue ao micro-interruptor, dando o sinal de paragem ao motor. Quando volta a receber outro sinal eléctrico, o motor roda no sentido oposto.

- Motor monofásico reversível com indicador visual de posição e sinal de saída.

- Montagem: Ângulo de 90 ° (ou 180 ° no caso da válvula de esfera de 3 vias).

- Disponível na configuração AC ou DC. Ambas as configurações disponíveis no mesmo actuador. Siga o diagrama de ligação na etiqueta do actuador.

- Operação manual de emergência. Posicionando a alavanca em M (Manual) o motor desligar-se-á automaticamente

- Contactos adicionais auxiliares para sinal de transmissão de posição.

- AVISO. Nunca ligue actuadores de baixa tensão a fontes de alta tensão. Além disso, não ligue actuadores de alta tensão a fontes de baixa tensão. O actuador não irá funcionar e poderá causar danos irreparáveis no equipamento.

Características J+J

- Temperatura Regulada por Termostato: Incorporação de um sistema de aquecimento controlado por termostato de 4W, garante uma temperatura de trabalho entre 20 ° C e 30 ° C (68 ° F a 86 ° F). Para que o sistema funcione correctamente é importante manter a corrente através do actuador.

- Segurança: O actuador possui um sistema electrónico automático de bloqueio no caso do binário máximo ser excedido. Se isto acontecer, o equipamento poderá ser operado manualmente através do volante do actuador.

- Um LED interno em funcionamento permanente indica que o actuador funciona correctamente. Quando este começa a piscar, é sinónimo de irregularidade e desliga automaticamente a energia do actuador.

Acessórios opcionais:

- Sistema posicionador Digital

- Bloqueio de Segurança. Bateria independente que fornece energia ao actuador em caso de falha de fornecimento de energia.

5.1 CUMPRIMENTO DAS NORMAS

Actuador eléctrico J+J

ISO 5211 - DIN 3337 (ligação à válvula) EN 60204 (segurança)

EN 50081-1 / EN 50081-2 / EN 50082-1 / EN 50082-2 / EN 61000-4-2 / EN 61000-4-3 / EN 61000-4-4 / EN 61000-4-5 / EN 61000-4-6 / EN 61000-4-11 (compatibilidade electromagnética)

Actuador eléctrico Valves:

ISO 5211 - DIN 3337 (ligação da válvula)

EN 61000-6-2 / EN 61000-6-4 (compatibilidade electromagnética) EN 60947-1 (1999) (equipamento de baixa tensão)

7. FUNCIONAMENTO E INSTRUÇÕES DE MANUTENÇÃO

Se a válvula está instalada correctamente no sentido do fluido na mesma direcção que a seta marcada no corpo da válvula, é possível fazer a manutenção do sistema a jusante sem problemas. Simplesmente fechando a válvula, esta comporta-se-á como uma tampa. Se em vez disso a manutenção é necessária a montante, é essencial que não haja pressão no sistema, quando se removam as braçadeiras e as porcas.

As operações descritas a seguir serão sempre realizadas sem fluído na tubagem.

A válvula vem de origem configurada para um correcto e contínuo funcionamento. No entanto, é possível reajustar o aperto do suporte das juntas na válvula quando as condições de utilização o exigiam.

Esta operação deverá ser realizada com a ajuda da ferramenta indicada (Fig. 18).

Retire as porcas de união da válvula (3) e separá-las do corpo. Coloque a ferramenta na ranhura do suporte das juntas (12) e rode a chave para a esquerda para apertar, para a direita para soltar. Se algum dos componentes da válvula se desgastar, poderá ser substituído desmontando o corpo de válvula. Para fazer isto, faça o mesmo procedimento que no ajuste do suporte das juntas, mas girando no sentido horário até que o suporte das juntas (12) seja libertado. Uma vez feito isso, poderá substituir qualquer junta do corpo. Rodar o eixo da válvula até que a esfera esteja na posição de fechado; remover a esfera (2) e os suportes da esfera (9).

Para substituir o eixo, este tem que ser forçado como na Fig.16. Uma vez que o eixo esteja fora (1) poderá substituir as juntas (7). Não esquecer que uma pressão excessiva no suporte das juntas pode afectar o funcionamento e danificar a válvula.

A instalação será realizada utilizando o processo inverso, mas sempre tendo o cuidado de lubrificar as juntas com óleo de PTFE.

Nunca use óleos ou gorduras minerais podem danificar os materiais das juntas.

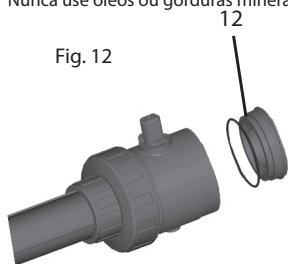


Fig. 12

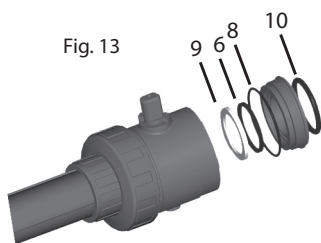


Fig. 13

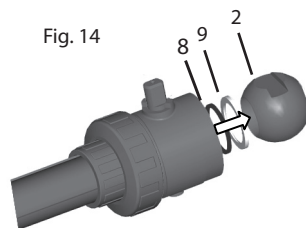


Fig. 14

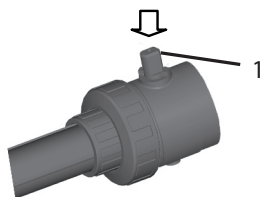


Fig. 16



Fig. 17

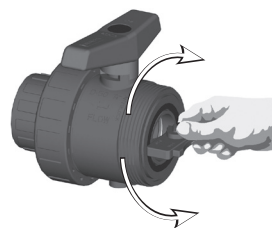


Fig. 18

8. MONTAGEM E DESMONTAGEM DO ACTUADOR

Se precisar de substituir o actuador ou a válvula, proceda da seguinte forma:

1. Mover a válvula para a posição de fechado.
2. Despressurizar e drenar o sistema.
3. Despressurizar o meio de controlo.
4. Retirar as linhas do meio de controlo do actuador.
5. Retirar os parafusos (A).
6. Separar o actuador eléctrico (4) da válvula.
7. Retirar os parafusos (B) para separar a flange de fixação.
8. Se desejar substituir o actuador por uma alavanca, retire também o casquilho de ligação (3).

Para montar um novo actuador ou uma nova válvula, proceder à execução dos passos acima mencionados na ordem inversa

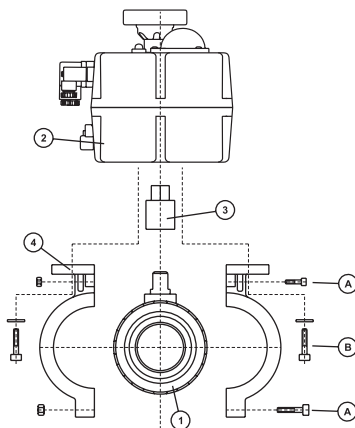


Fig. 19



10. SOLUÇÃO DE PROBLEMAS




T 9.1

PROBLEMA	CAUSA POSSÍVEL	SOLUÇÃO
Fuga no corpo da válvula.	Deterioração do corpo da junta.	Substituir a junta.
	Suporte das juntas sem pressão.	Ajustar o suporte das juntas.
	Presença de sólidos ou elementos estranhos.	Desinstalar a válvula e substituir as peças danificadas.
Fuga pelo eixo da válvula.	Desgaste das juntas do eixo.	Substituir as juntas.
Abertura / fecho excessivo ou válvula bloqueada.	Suporte das juntas com pressão excessiva.	Ajustar o suporte das juntas.
A válvula não abre ou não fecha.	Falta energia eléctrica.	Verificar a fonte de alimentação do actuador.
A válvula não fecha completamente.	O binário de actuador não está bem ajustado com o da válvula.	Verificar as configurações de acordo com o manual do actuador.
	O binário da válvula subiu acima do valor calculado.	Verificar a Válvula: obstruções na esfera ou mau funcionamento.

Importante: Il presente manuale d'istruzioni contiene informazioni fondamentali riguardanti le misure di sicurezza da adottare durante l'installazione e la messa in funzione del dispositivo. Pertanto è importante che l'utente legga le presenti istruzioni prima di installare e utilizzare il prodotto.

Per ottenere il miglior funzionamento della valvola attuata, è consigliabile leggere attentamente le seguenti istruzioni.

Questi simboli    indicano un potenziale pericolo in caso in cui non si seguano le istruzioni qui indicate.

-  PERICOLO. Rischio di folgorazione. Non attenersi alle raccomandazioni comporta il rischio di folgorazione.
-  PERICOLO. Non attenersi alle raccomandazioni può comportare danni personali o al dispositivo.
-  AVVERTENZA. Non attenersi alle raccomandazioni può comportare danni alla valvola automatica o al dispositivo.


RACCOMANDAZIONI GENERALI DI SICUREZZA

Le valvole descritte nel presente manuale sono state specificamente progettate per garantire la corretta circolazione del flusso in tutte le fasi di funzionamento.

-  Il dispositivo deve essere installato secondo le istruzioni specifiche. Le avvertenze di sicurezza devono essere rispettate in ogni momento.

Qualsiasi modifica dell'attuatore richiede una previa autorizzazione del produttore. I pezzi di ricambio e gli accessori autorizzati sono una garanzia di maggiore sicurezza.

Il produttore della valvola motorizzata declina qualsiasi responsabilità derivante da danni causati da uso di ricambi o accessori non autorizzati.

-  Durante l'operazione, le parti elettriche o elettroniche sono sottoposte a tensione elettrica. Il lavoro con la valvola automatica o con altri dispositivi collegati può essere effettuato solo dopo aver disconnesso il meccanismo di avviamento.

L'utente deve assicurarsi che le operazioni di montaggio e manutenzione siano sempre effettuate da personale autorizzato e qualificato e che abbia letto attentamente le istruzioni d'installazione e funzionamento contenute nel presente manuale.

La sicurezza di funzionamento di questa valvola può essere garantita solo con il più rigoroso rispetto delle istruzioni d'installazione e funzionamento. Le limitazioni di tensione non possono essere superate in nessuna circostanza.

In caso di difetti di funzionamento o guasti, contattare il più vicino rappresentante del produttore o il relativo servizio di assistenza tecnica. Evitare gli urti durante il trasporto, che possono danneggiare il corpo o il meccanismo della valvola.

Custodire la valvola nel suo imballaggio originale, proteggendola dall'umidità e dall'esposizione diretta al sole.


AVVERTENZE RIGUARDANTI LA VALVOLA A SFERA AUTOMATICA

La durata massima della vita utile della valvola è specificata nella norma EN ISO 16135:2007 ed è stata verificata in fabbrica mediante le prove di invecchiamento previste dalla norma.

La corretta installazione e uso della valvola, nonché il rispetto dei requisiti massimi di pressione e temperatura specificati nel presente manuale sono fondamentali per la salvaguardia della vita utile della valvola.

Il liquido convogliato deve essere compatibile con i materiali della valvola. Consultare la tabella di resistenza chimica pubblicata nel sito di Cepex o contattare l'ufficio tecnico.


Non è consigliabile l'uso di strumenti per l'apertura e la chiusura del controllo manuale della valvola.

-  Prima di effettuare operazioni di manutenzione delle tubature o della valvola, assicurarsi che il sistema sia depressurizzato liberando la pressione e svuotando i tubi, nel rispetto delle regole di sicurezza specifiche di ogni elemento.


Prima dell'installazione verificare che la valvola non abbia subito danni e che contenga tutti i componenti necessari all'installazione.

Dopo lunghi periodi di inattività, verificare il lubrificante presente nei giunti e seguire le istruzioni per la manutenzione contenute nel presente manuale. Il lubrificante deve essere compatibile con i materiali della valvola.

E' importante evitare la chiusura rapida delle valvole per eliminare la possibilità di colpi d'ariete che possono danneggiare il sistema. Quando la valvola è utilizzata come elemento finale di un impianto, tenere in considerazione i rischi dovuti al liquido e controllare la pressione e la temperatura, secondo le norme relative ad ogni prodotto.

-  Effettuare tutti i collegamenti seguendo le istruzioni relative all'alimentazione elettrica contenute nel presente manuale. Assicurarsi che tutti i cavi siano collegati in modo corretto.


Nel caso in cui fosse necessario aprire la scatola di fine corsa, nel richiederla verificare che sia posizionata in modo corretto per evitare qualsiasi contatto con l'acqua. Verificare anche che i connettori siano collocati in posizione corretta.

-  In ogni momento evitare il contatto, anche accidentale, con le parti mobili della valvola attuata durante l'operazione e/o prima che sia arrivata a completa chiusura.

Prima di iniziare una manutenzione elettrica, assicurarsi che i meccanismi di avviamento siano bloccati. E' consigliabile seguire i passaggi qui indicati prima di effettuare qualsiasi alterazione della valvola attuata:

- 1.- Disconnettere l'alimentazione elettrica generale.
- 2.- Bloccare i dispositivi di avviamento del sistema.
- 3.- Assicurarsi che non sia presente tensione elettrica nei circuiti, inclusi i circuiti ausiliari e i servizi complementari.

Tutto quanto sopra segnalato deve essere considerato a titolo indicativo e non direttamente legato alle procedure di sicurezza, dal momento che in alcuni casi possono essere presenti norme di sicurezza specifiche.

-  **IMPORTANTE:** In ragione della complessità dell'argomento, le istruzioni d'installazione, uso e manutenzione contenute nel presente manuale non possono riferirsi a tutte le possibili eventualità riguardanti il funzionamento e la manutenzione. Se avete bisogno di ulteriori istruzioni o se riscontrate un problema specifico, contattate il distributore o il produttore della valvola.

1. DEFINIZIONE

Valvola a sfera per l'interruzione del flusso in sistemi per la conduzione di fluidi. Progettazione basata sulla norma EN ISO 16135:2007.

La valvola è disponibile con corpo in PVC-U e CPVC e giunti in EPDM e FPM. La scelta del materiale del corpo e dei giunti dipende dal tipo di liquido da trasportare e dalla temperatura di funzionamento del liquido, secondo le tabelle di resistenza chimica disponibili nel nostro sito web e i grafici di pressione/temperatura inclusi nel presente manuale.

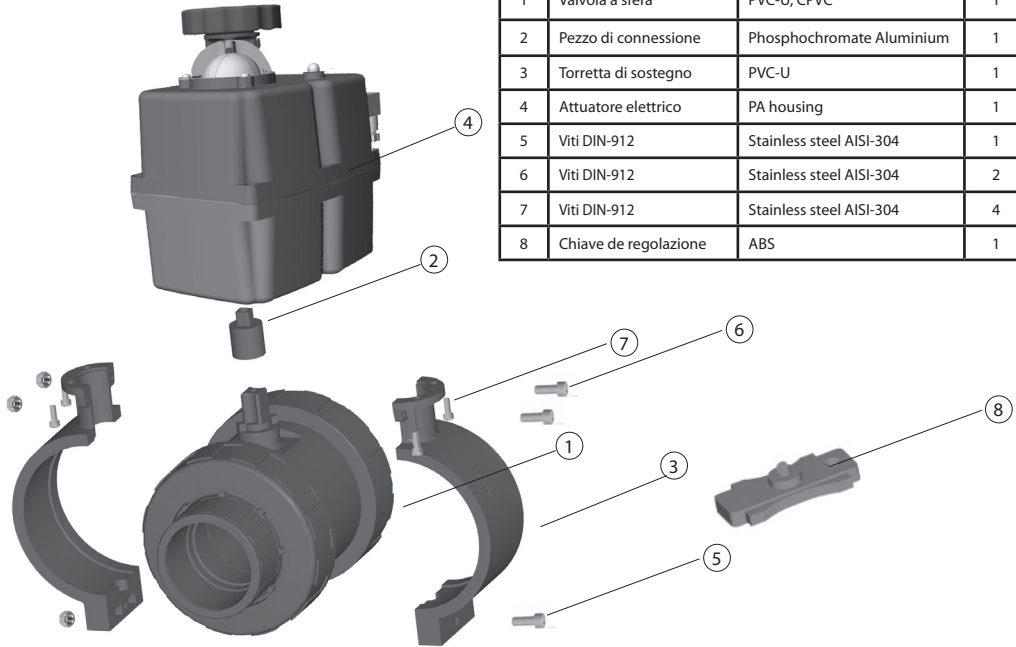
L'attuatore elettrico controlla le posizioni della valvola (chiusa / aperta).

2. COMPONENTI

2.1 Componenti della valvola attuata

N	DESCRIZIONE	MATERIAL	Q
1	Valvola a sfera	PVC-U, CPVC	1
2	Pezzo di connessione	Phosphochromate Aluminium	1
3	Torretta di sostegno	PVC-U	1
4	Attuatore elettrico	PA housing	1
5	Viti DIN-912	Stainless steel AISI-304	1
6	Viti DIN-912	Stainless steel AISI-304	2
7	Viti DIN-912	Stainless steel AISI-304	4
8	Chiave de regolazione	ABS	1

Fig. 1



2.2 Componentes da válvula

Fig. 2

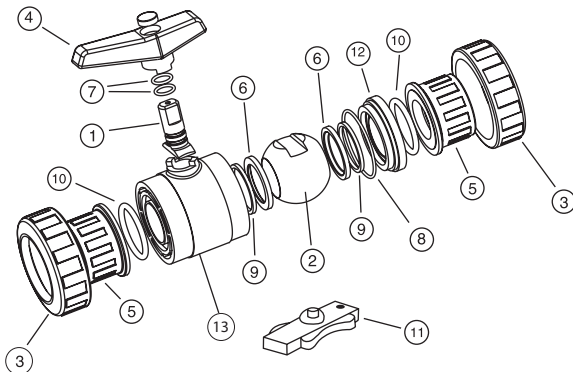


FIG.	Parti	Material
1	Perno	PVC-U / CPVC
2	Sfera	PVC-U / CPVC
3	Ghiera	PVC-U / CPVC
4	Maniglia	PP
5	Manicotto	PVC-U / CPVC
6	Guarnizione esf.	HDPE / PTFE
7	O-ring perno	EPDM / FPM
8	O-ring corpo	EPDM / FPM
9	Guarnizione am.	EPDM / FPM
10	O-ring manicotto	EPDM / FPM
11	Chiave di reg.	ABS
12	Porta o-ring	PVC-U / CPVC
13	Corpo	PVC-U / CPVC

3. VALVOLA A SFERA

3.1 VERIFICA DEL TIPO DI VALVOLA

All'apertura della confezione, verificare che la valvola corrisponda al modello richiesto. Verificare che il modello dell'attuatore corrisponda al codice richiesto. Prestare particolarmente attenzione al voltaggio indicato sull'etichetta dell'attuatore, che deve corrispondere a quello dell'alimentazione elettrica (un voltaggio errato può arrecare danni irreparabili al dispositivo).

Tutte le valvole sono elettricamente e idraulicamente collaudate in fabbrica. Le valvole saranno sempre sostituite per giustificati motivi.

3.2 GARANZIA

Il presente dispositivo è stato ampiamente verificato in fabbrica al fine di garantire che sia in perfette condizioni di funzionamento. La garanzia sarà applicabile sempreché la valvola sia stata correttamente installata e che non sia stata utilizzata in modo errato. Il dispositivo deve pertanto essere installato da personale qualificato.

3.3 CARATTERISTICHE TECNICHE

Diagramma pressione/temperatura (G 3.1)

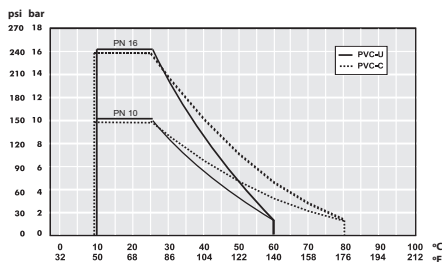
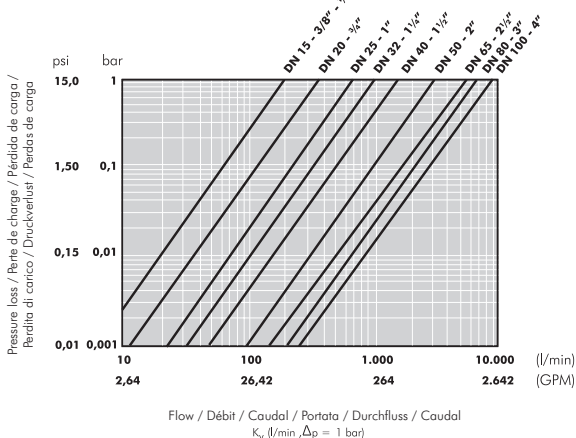


Diagramma delle perdite di carico (G 3.3)



Perdite di carico (T3.3)

DN	D	Kv (l/min)	Cv (GPM)
10	16	75	5,3
15	20	190	13,3
20	25	380	26,6
25	32	690	48,3
32	40	980	68,6
40	50	1600	112
50	63	3000	210,1
65	75	5500	385,2
80	90	6800	476,2

Design della valvola	Collegamenti	Coll. attuatore
EN ISO 16135:2007	Threads: ISO 7-1, ISO 228-1 Flanges: EN 558-1, EN 1092-1 Solvent socket: ISO 15493	EN/ISO 5211

Coppia di apertura della valvola

Coppia di apertura a pressione nominale (PN) e 20°C di fabbrica. L'installazione e i requisiti di funzionamento (pressione e temperatura) possono influire su tali valori.

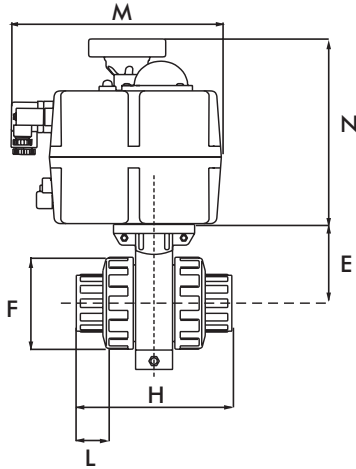
L'attuatore richiesto per operazioni automatiche deve essere calcolato secondo alcuni fattori di sicurezza che sono stati determinati nei test effettuati in fabbrica.

Coppia di apertura (N-m) (T3.2)

	DN15	DN20	DN25	DN32	DN40	DN50	DN65	DN80	DN100
N-m	1	2	3,5	3,5	5	15	25	45	58
lbf·inch	8,9	17,7	31	31	44,3	132,8	221,3	398,3	514

4. DIMENSIONI

Fig. 3



T 4.1(mm)

DN	D/G	L	H	E	F
15	16 - 3/8"	14	84	64	52
15	20 - 1/2"	16	84	64	52
20	25 - 3/4"	19	108	64	62
25	32 - 1"	22	124	74	70
32	40 - 1 1/4"	26	142	74	84
40	50 - 1 1/2"	31	167	88	104
50	63 - 2"	38	198	88	120
65	75 - 2 1/2"	44	232	123	148
80	90 - 3"	51	269	123	179
100	110 - 4"	63	359	165	228

Vedere il manuale dell'attuatore per le dimensioni M y N.

Dimensioni unioni (T4.2)

DN	ISO FLANGE	SQUARE OPTIONS (mm)
15	F03-F05	9/11/14
20	F05	9/11/14
25	F05	11/14
32	F05	11/14
40	F05-F07	11/14/17
50	F05-F07	11/14/17
65	F07	17
80	F07	17 / 22
100	F07-F10	17/22

5. INSTALLAZIONI

Prima di cominciare la procedura d'installazione, verificare di essere in possesso di tutte le parti necessarie all'assemblaggio della valvola e che i materiali, il tipo di collegamento e la pressione di funzionamento siano adeguati all'installazione.

Per collegamenti incollati o saldati, assicurarsi di utilizzare l'adesivo o gli strumenti adeguati per la saldatura.

Per installare la valvola, seguire le raccomandazioni per la corretta installazione fornite sul sito di Cepex, facendo attenzione soprattutto alla dilatazione termica e all'allineamento delle tubature.

Riempendo di liquido le tubature, verificare che tutta l'aria sia stata spurgata dal sistema e che la pressione iniziale non superi la pressione di esercizio della valvola o dell'elemento del sistema con la minore pressione nominale.

Installare la valvola tenendo in considerazione la direzione del flusso impressa sul corpo della valvola (seguendo la corrente).

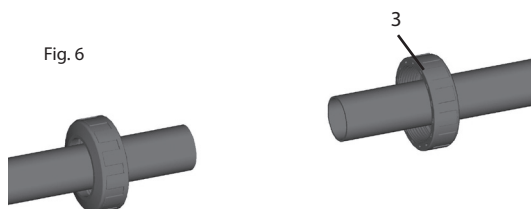
Installare la valvola dopo aver collegato i manicotti di giunzione e dopo aver lasciato trascorrere il tempo necessario per l'asciugatura, per evitare problemi con l'adesivo (entrata nel corpo della valvola).

La valvola viene fornita già montata e per la sua installazione devono essere seguiti i seguenti passaggi:

1. Verificare che il diametro del tubo corrisponda al diametro interno del manicotto di giunzione (se si effettua per incollaggio).
2. Adattare la valvola all'impianto lasciando il dado (3) Fig. 6 nel tubo prima di incollare il manicotto di giunzione (5) Fig. 7.
3. Lasciare una distanza esatta tra i manicotti di giunzione (Fig. 8), in modo che il corpo della valvola possa essere inserito tra di essi e non rimanga teso tra i due estremi del tubo.
4. I collegamenti incollati devono essere effettuati pulendo precedentemente le aree da collegare con un apposito solvente e applicando successivamente un adesivo. Non è consigliabile applicare una pressione prima che siano trascorse 24 ore dall'incollaggio.

Nell'operazione di incollaggio, il corpo deve essere separato dai manicotti di giunzione, per evitare che l'adesivo possa danneggiare le parti interne della valvola.

5. Nei raccordi filettati si userà nastro in PTFE nei collegamenti maschio: "è molto importante non usarne una quantità eccessiva, dal momento che potrebbe causare la rottura di un collegamento femmina".



6. FUNZIONAMENTO DELL'ATTUATORE

La valvola attuata consiste di un attuatore elettronico montato su una valvola convenzionale.

OPERAZIONE Quando riceve un segnale elettrico, il motore passa sulla posizione "APERTO" o "CHIUSO" a seconda del segnale dell'interruttore, finché la camma interna si collega con il microswitch, dando il segnale di arresto al motore. Quando riceve un altro segnale elettrico, il motore gira in senso contrario.

- Motore reversibile, monofase, con indicatore visivo della posizione e segnale di uscita.
- Applicazione: Giro di 90° (o 180° nel caso di valvola a sfera a 3 vie).
- Disponibile in configurazione AC o DC. Entrambe le posizioni sono disponibili nello stesso attuatore. Seguire lo schema di collegamento sull'etichetta dell'attuatore.
- Operazione manuale d'emergenza. Collocando la leva sulla posizione M (Manuale) il motore sarà disconnesso automaticamente.
- Contatti aggiuntivi ausiliari per segnale di trasmissione di posizione.
- **AVVERTENZA.** Non collegare mai attuatori a basso voltaggio a fonti ad alto voltaggio. Analogamente, non collegare attuatori ad alto voltaggio a fonti a basso voltaggio. L'attuatore non funzionerà e potranno essere causati danni irreparabili al dispositivo.

Caratteristiche J+J

- Temperatura controllata mediante termostato: un sistema di riscaldamento controllato da un termostato da 4W assicura una temperatura di funzionamento tra 20°C e 30°C (68°F - 86°F). Per il corretto funzionamento del sistema è importante mantenere la tensione in funzionamento attraverso l'attuatore.
- Sicurezza: L'attuatore è dotato di un sistema elettronico di chiusura automatica nel caso in cui sia superata la coppia massima. In tal caso, il dispositivo può essere controllato manualmente attraverso il volantino dell'attuatore.
- Un LED interno in funzionamento permanente indica che l'attuatore funziona in modo corretto. Se il LED lampeggia, significa che qualcosa non funziona regolarmente e l'alimentazione dell'attuatore si disconnette automaticamente.

Accessori opzionali:

- Sistema di posizionamento digitale
- Arresto di sicurezza. Batteria indipendente che alimenta l'attuatore in caso di interruzione della fornitura di energia elettrica.

5.1 RISPETTO DELLE NORMATIVE

Attuatore J+J

ISO 5211 - DIN 3337 (collegamento a valvola) EN 60204 (sicurezza)

EN 50081-1 / EN 50081-2 / EN 50082-1 / EN 50082-2 / EN 61000-4-2 / EN 61000-4-3 / EN 61000-4-4 / EN 61000-4-5 / EN 61000-4-6 / EN 61000-

4-11 (compatibilità elettromagnetica)

Attuatore Valpes:

ISO 5211 - DIN 3337 (collegamento a valvola)

EN 61000-6-2 / EN 61000-6-4 (compatibilità elettromagnetica) EN 60947-1 (1999) (sistema a basso voltaggio)

7. OPERAZIONI E ISTRUZIONI PER LA MANUTENZIONE

Se la valvola è installata correttamente secondo la direzione del fluido nella stessa direzione indicata dalla freccia impressa sul corpo della valvola, sarà possibile effettuare la manutenzione del sistema a valle senza problemi. La valvola chiusa agirà da tappo. Se, al contrario, la manutenzione richiesta è a monte, è fondamentale che non ci sia pressione nel sistema quando si smontano il manicotto e il dado.

Le operazioni di seguito descritte dovranno essere effettuate sempre in assenza di fluidi.

La valvola è predisposta per un funzionamento corretto e prolungato, tuttavia è possibile regolare il serraggio del porta tenute sulla valvola se le condizioni d'uso lo richiedono.

Questa operazione dovrà essere effettuata mediante l'attrezzo in dotazione (Fig. 18).

Smontare i dadi di giunzione della valvola (3) e separarli dal corpo. Collocare l'attrezzo nella scanalatura situata nel porta tenute (12) e girare la chiave in senso antiorario per stringere, in senso orario per allentare. Se un componente della valvola si usura, può essere sostituito smontando il corpo della valvola. Per effettuare questa operazione, procedere come nella regolazione del porta tenute, ma girare in senso orario fino a liberare il porta tenute (12). Successivamente potranno essere sostituiti i giunti del corpo. Girare l'asse della valvola finché la sfera arriva alla posizione di chiusura; togliere la sfera (2) e le calotte sferiche (9).

Per sostituirlo, l'asse deve essere forzato come nella Fig.16. Una volta tirato fuori l'asse (1) potranno essere cambiati i giunti (7). Tenere presente che una pressione eccessiva sul porta tenute potrebbe influire sul funzionamento e arrecare danni alla valvola.

Il montaggio sarà effettuato mediante la procedura inversa, ma sempre con la precauzione di lubrificare i giunti con olio di PTFE. Non usare mai grassi o oli minerali che possano danneggiare i giunti.

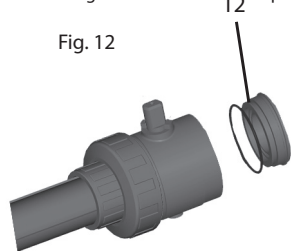


Fig. 12

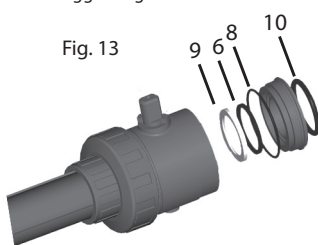


Fig. 13

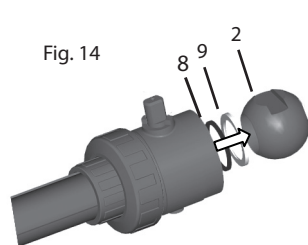


Fig. 14

Fig. 18

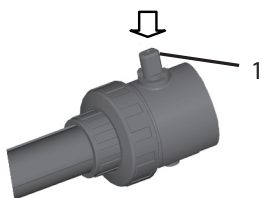
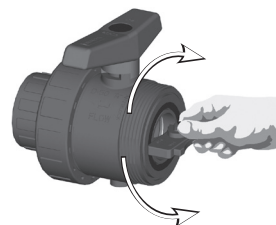


Fig. 16



Fig. 17



8. MONTAGGIO E SMONTAGGIO DELL'ATTUATORE

Se è necessario sostituire l'attuatore o la valvola, procedere nel modo seguente:

1. Spostare la valvola sulla posizione di chiusura.
2. Depressurizzare e drenare il sistema.
3. Depressurizzare il mezzo di controllo.
4. Ritirare le linee dal mezzo di controllo dell'attuatore.
5. Ritirare le viti (A).
6. Separare l'attuatore elettrico (4) della valvola.
7. Ritirare le viti (B) per separare la flangia di fissaggio.
8. Nel caso in cui si voglia sostituire l'attuatore con una leva, ritirare anche il guscio di connessione (3).

Per montare un nuovo attuatore o una nuova valvola, ripetere i passaggi precedenti in senso contrario.

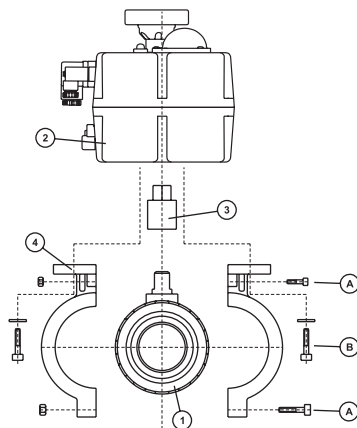


Fig. 19




10. SOLUZIONE DI EVENTUALI PROBLEMI




T 9.1

POSSIBILE PROBLEMA	CAUSA	SOLUZIONE
Fuga nel corpo della valvola.	Deterioramento del giunto del corpo.	Cambio del giunto.
	Porta tenute con mancanza di pressione.	Regolazione del porta tenute.
	Presenza di solidi o elementi estranei.	Disinstallare la valvola e sostituire le parti danneggiate.
Fuga attraverso l'asse della valvola.	Usura dei giunti dell'asse.	Cambio dei giunti.
Coppia di apertura / chiusura eccessiva o valvola bloccata.	Porta tenute con pressione eccessiva.	Regolazione del porta tenute.
La valvola non apre o non chiude.	Mancanza di corrente.	Verificare la fonte di alimentazione all'attuatore.
La valvola non chiude completamente.	La coppia dell'attuatore non è ben regolata con quella della valvola.	Verificare le regolazioni secondo il manuale dell'attuatore.
	La coppia della valvola è aumentata rispetto al valore calcolato.	Verificare la valvola: possibili ostruzioni della sfera o malfunzionamento.

Wichtig: Diese Bedienungsanleitung enthält wichtige Informationen über die Sicherheitsmaßnahmen, die bei der Installation und Inbetriebnahme der Armatur durchgeführt werden müssen. Daher ist es wichtig, dass der Anwender diese Anleitung liest, bevor das Produkt installiert und verwendet wird.


Um das pneumatisch betätigte Ventil optimal zu nutzen, wird empfohlen, die folgende Anleitung sorgfältig zu lesen.

Diese Symbole    weisen auf mögliche Gefahren hin, wenn die hier beschriebenen Hinweise nicht befolgt werden.


-  **GEFAHR:** Gefahr eines Stromschlags. Wenn die Anleitung nicht befolgt wird, kann es zu einem Stromschlag kommen.
-  **GEFAHR:** Wenn die Anleitung nicht befolgt wird, kann es zu Personen- und/oder Sachschäden kommen.
-  **WARNUNG:** Wenn die Anleitung nicht befolgt wird, kann es zu Schäden am automatischen Ventil oder an der Armatur kommen.

ALLGEMEINE SICHERHEITSHINWEISE

Die in dieser Anleitung beschriebenen Ventile wurden entwickelt, um einen korrekt funktionierenden Flüssigkeitskreislauf in allen Arbeitsphasen sicherzustellen.

-  Die Armatur muss gemäß der spezifischen Anleitung installiert werden. Die Sicherheitshinweise müssen immer befolgt werden. Jede Veränderung des Antriebs bedarf einer vorherigen Genehmigung des Herstellers. Die zugelassenen Ersatz- und Zubehörteile gewährleisten eine erhöhte Sicherheit.

Der Ventilhersteller schließt jegliche Haftung für Schäden aus, die durch die Verwendung von nicht zugelassenen Ersatz- oder Zubehörteilen entstehen.

-  Während des Betriebs stehen die elektrischen oder elektronischen Komponenten unter Spannung. Es darf erst an dem automatischen Ventil oder anderen Teilen gearbeitet werden, wenn der Startmechanismus unterbrochen wurde. Der Nutzer muss sicherstellen, dass alle Montage- und Wartungsarbeiten von autorisiertem und qualifiziertem Personal durchgeführt werden und dass das Personal diese Installations- und Betriebsanleitung sorgfältig gelesen hat. Die Betriebssicherheit des pneumatisch betätigten Ventils kann nur garantiert werden, wenn die Installations- und Betriebsanleitung exakt eingehalten wird. Die Spannungsgrenzen dürfen keinesfalls überschritten werden. Bei Funktionsfehlern oder Betriebsstörungen kontaktieren Sie bitte einen Werksvertreter in Ihrer Nähe oder den technischen Kundendienst des Herstellers. Vermeiden Sie Stöße während des Transports, da dadurch der Ventilkörper oder der Mechanismus des Ventils beschädigt werden kann. Bewahren Sie das Ventil in der Originalverpackung auf und schützen Sie es vor Feuchtigkeit und direkter Sonneneinstrahlung.


WARNHINWEISE FÜR DEN PNEUMATISCH BETRIEBENEN KUGELHAHN

Die maximale Lebensdauer dieses Ventils ist in der Norm EN ISO 16135:2007 angegeben. Die Lebensdauer wurde im Werk mithilfe von in der Norm definierten Tests zum Alterungsverhalten geprüft.

Die korrekte Installation und der korrekte Betrieb des Ventils sowie die Einhaltung der maximalen Druck- und Temperaturbedingungen, die in dieser Anleitung angeführt sind, sind entscheidend, um die Lebensdauer des Ventils zu erhalten.

Die geführte Flüssigkeit muss mit allen Materialien des Ventils kompatibel sein. Sehen Sie in der Tabelle für Chemikalienbeständigkeit nach, die auf der Webseite von Cepex verfügbar ist, oder wenden Sie sich an die technische Abteilung.


Der Einsatz von Werkzeugen zum Öffnen oder Schließen der manuellen Ventilsteuerung wird nicht empfohlen.

-  Bevor Sie irgendwelche Wartungsarbeiten an den Rohren oder dem Ventil durchführen, müssen Sie sicherstellen, dass das System drucklos ist. Lassen Sie dazu den Druck entweichen und entleeren Sie die Rohre, gemäß den spezifischen Sicherheitsbestimmungen der entsprechenden Elemente.


Überprüfen Sie das Ventil vor der Installation auf Schäden und stellen Sie sicher, dass es alle notwendigen Teile für die Installation enthält.


Wenn die Armatur längere Zeit nicht benützt wurde, überprüfen Sie das Schmiermittel der O-Ringe und befolgen Sie die Wartungshinweise in dieser Anleitung. Das Schmiermittel muss mit den Materialien des Ventils kompatibel sein.

Es ist wichtig, ein schnelles Schließen der Ventile zu vermeiden, um Flüssigkeitsschläge zu verhindern, die das System beschädigen können.

-  Wenn das Ventil bei einer Installation als Endarmatur eingesetzt wird, müssen die Risiken der Flüssigkeit berücksichtigt und der Druck und die Temperatur kontrolliert werden, gemäß den Sicherheitsstandards des jeweiligen Produkts.


Befolgen Sie bei allen Anschlüssen die Anweisungen in Bezug auf die Stromversorgung, wie in dieser Anleitung beschrieben. Stellen Sie sicher, dass alle Kabel korrekt angeschlossen sind.

-  Wenn die Endschalterbox geöffnet werden muss, stellen Sie beim erneuten Schließen sicher, dass sie korrekt positioniert ist und jeder Kontakt mit dem Wasser vermieden wird. Überprüfen Sie ebenfalls, ob die Anschlüsse korrekt positioniert sind.

-  Vermeiden Sie zu jeder Zeit den Kontakt – einschließlich unbeabsichtigter Kontakte – mit den beweglichen Teilen des elektrisch betätigten Ventils während des Betriebs und/oder bevor es vollständig gestoppt hat.

Stellen Sie sicher, dass die Startmechanismen blockiert sind, bevor Sie irgendeine elektrische Wartungsarbeit beginnen. Es ist empfehlenswert, die folgenden Schritte zu befolgen, bevor Sie irgendeine Veränderung an dem elektrisch betätigten Ventil durchführen:

1. - Von der Stromversorgung trennen.
2. - Die Startmechanismen des Systems blockieren.
3. - Spannungsfreiheit der Kreisläufe sicherstellen, einschließlich der Nebenkreisläufe und Zusatzdienste.

-  Alle oben genannten Angaben sind als Hinweis zu verstehen und nicht direkt mit den Sicherheitsvorkehrungen verknüpft, da es in einigen Fällen spezielle Sicherheitsnormen geben kann.

WICHTIG: Aufgrund der Komplexität des Themas sind die hier enthaltenen Anleitungen zu Installation, Gebrauch und Wartung nicht dazu gedacht, alle denkbaren Service- und Wartungsszenarien abzudecken. Wenn Sie weitere Anleitungen benötigen oder spezielle Probleme auftreten, wenden Sie sich bitte an Ihren Händler oder den Hersteller des Ventils.

1. DEFINITION

Kugelhahn zur Unterbrechung des Medienstroms in einem System zur Handhabung von Flüssigkeiten. Das Design basiert auf der Norm EN ISO 16135:2007.

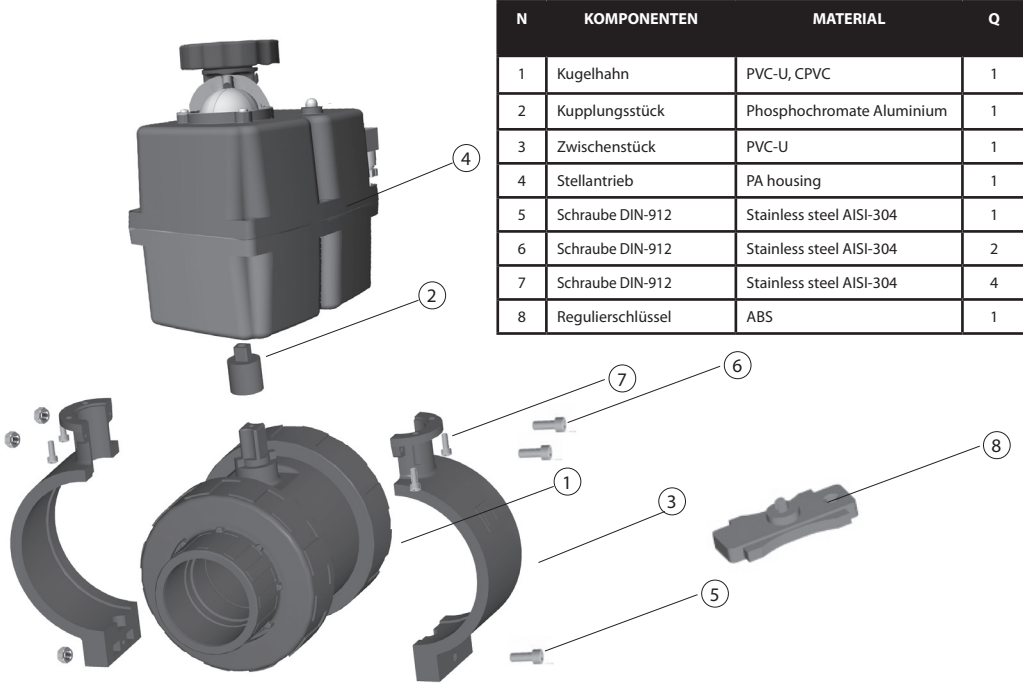
Das Ventil ist mit einem Körper aus PVC-U und CPVC und Dichtungen aus EPDM und FPM verfügbar. Die Auswahl des Materials des Körpers und der Dichtungen ist von der zu transportierenden Flüssigkeit sowie von der Arbeitstemperatur der Flüssigkeit abhängig, gemäß der Tabelle für Chemikalienbeständigkeit, die auf unserer Webseite abrufbar ist, und den Druck-/Temperaturgrafiken in dieser Anleitung.

Der elektrisch Antrieb steuert die Positionen des Ventils (geschlossen/offen).

2. KOMPONENTEN

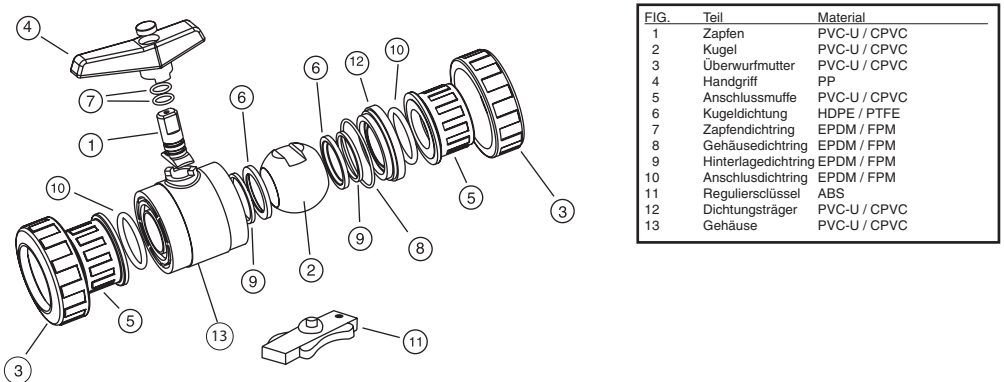
2.1 Komponenten des pneumatisch betätigten Ventils

Fig. 1



2.2 Komponenten des Ventils

Fig. 2



3. KUGELHAHN

3.1 ÜBERPRÜFUNG DES VENTILTYPUS

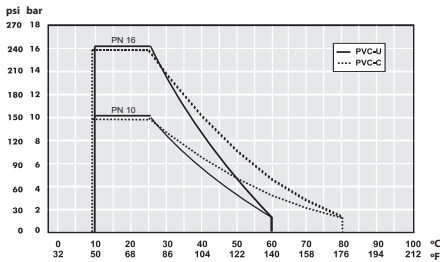
Öffnen Sie die Verpackung und überprüfen Sie, ob das Ventil dem von Ihnen bestellten Modell entspricht. Überprüfen Sie, ob der Code des Antriebs dem bestellten Modell entspricht. Achten Sie insbesondere darauf, ob die auf dem Etikett des Antriebs angegebene Spannung Ihrer Stromversorgung entspricht (eine inkorrekte Spannung kann irreparable Schäden an der Armatur verursachen).
Alle Ventile werden im Werk elektrisch und hydraulisch geprüft. Die Ventile werden bei einem berechtigten Anspruch immer ausgetauscht.

3.2 GARANTIE

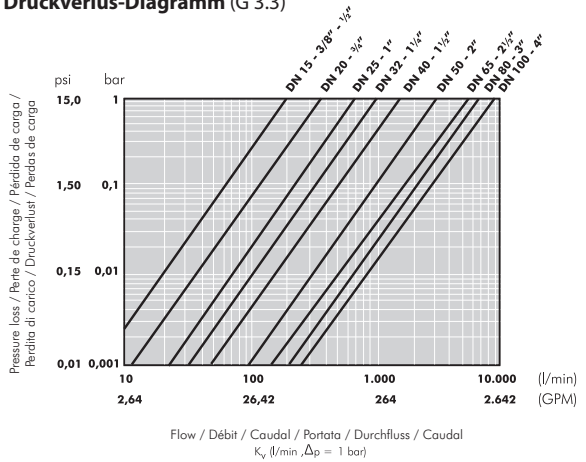
Diese Armatur wurde im Werk umfangreich geprüft, um eine einwandfreie Funktionalität zu gewährleisten. Diese Garantie ist gültig, wenn das Ventil ordnungsgemäß installiert wurde und es nicht auf irgendeine inkorrekte Art und Weise benutzt wurde. Aus diesem Grund muss die Armatur durch qualifiziertes Personal installiert werden.

3.3 TECHNISCHE DATEN

Druck-Temperatur-Diagramm (G 3.1)



Druckverlust-Diagramm (G 3.3)



Druckverlust (T3.3)

DN	D	Kv (l/min)	Cv (GPM)
10	16	75	5,3
15	20	190	13,3
20	25	380	26,6
25	32	690	48,3
32	40	980	68,6
40	50	1600	112
50	63	3000	210,1
65	75	5500	385,2
80	90	6800	476,2

Ventilkonstruktion	Anschlüsse	Anschlüsse stell.
EN ISO 16135:2007	Threads: ISO 7-1, ISO 228-1 Flanges: EN 558-1, EN 1092-1 Solvent socket: ISO 15493	EN/ISO 5211

Drehmoment des Ventils

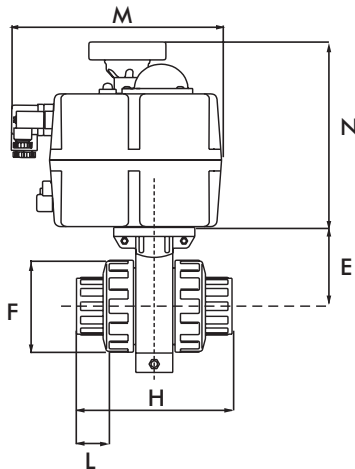
Drehmomentwerte bei Nenndruck (PN) und 20 °C, wie bei neuen Produkten direkt aus dem Werk. Die Installation und die Arbeitsbedingungen (Druck und Temperatur) können sich auf diese Werte auswirken. Der Antrieb, der für einen automatischen Betrieb erforderlich ist, muss gemäß einigen Sicherheitsfaktoren berechnet werden, die bei im Werk durchgeführten Tests ermittelt wurden.

Drehmoment des Ventils (N-m) (T3.2)

	DN15	DN20	DN25	DN32	DN40	DN50	DN65	DN80	DN100
N-m	1	2	3,5	3,5	5	15	25	45	58
lbf·inch	8,9	17,7	31	31	44,3	132,8	221,3	398,3	514

4. ABMESSUNGEN

Fig. 3



T 4.1 (mm)

DN	D/G	L	H	E	F
15	16 - 3/8"	14	84	64	52
15	20 - 1/2"	16	84	64	52
20	25 - 3/4"	19	108	64	62
25	32 - 1"	22	124	74	70
32	40 - 1 1/4"	26	142	74	84
40	50 - 1 1/2"	31	167	88	104
50	63 - 2"	38	198	88	120
65	75 - 2 1/2"	44	232	123	148
80	90 - 3"	51	269	123	179
100	110 - 4"	63	359	165	228

Siehe Betriebsanleitung des Antriebs für die Abmessungen M y N.

ABMESSUNGEN (T4.2)

DN	ISO FLANGE	SQUARE OPTIONS (mm)
15	F03-F05	9/11/14
20	F05	9/11/14
25	F05	11/14
32	F05	11/14
40	F05-F07	11/14/17
50	F05-F07	11/14/17
65	F07	17
80	F07	17 / 22
100	F07-F10	17/22

5. INSTALLATION

Überprüfen Sie, bevor Sie mit der Installation beginnen, ob Sie alle notwendigen Teile für den Zusammenbau des Ventils besitzen und ob die Materialien, die Anschlussstypen und der Betriebsdruck für eine Installation angemessen sind.

Stellen Sie für Klebe- und Schweißverbindungen sicher, dass die zu verbindenden Teile aus demselben Material sind und Sie ein geeignetes Klebemittel oder geeignete Schweißwerkzeuge nutzen.

Zur Installation des Ventils befolgen Sie bitte die Hinweise für eine korrekte Installation, die auf der Webseite von Cepex zur Verfügung stehen. Achten Sie insbesondere auf die thermische Ausdehnung und die Ausrichtung der Rohre.

Überprüfen Sie, wenn Sie die Rohre mit Flüssigkeit füllen, dass die gesamte Luft aus dem System entwichen ist und dass der Anfangsdruck nicht den Betriebsdruck des Ventils oder des Elements mit dem geringsten Nenndruck im System übersteigt. Berücksichtigen Sie bei der Installation des Ventils die Strömungsrichtung, die auf dem Ventilkörper markiert ist (in Fließrichtung). Installieren Sie das Ventil erst nachdem die Muffen verklebt wurden und die Trocknungszeit vorbei ist, um Probleme mit dem Klebemittel zu verhindern (z. B. Eindringen in den Ventilkörper).

Das Ventil wird vom Werk vormontiert geliefert. Zur Installation müssen folgende Schritte befolgt werden:

1. Überprüfen Sie, dass der Rohrdurchmesser dem inneren Durchmesser der Muffe entspricht (bei Verklebung).
2. Passen Sie das Ventil an die Installation an und schieben Sie die Überwurfmutter (3) (Abbildung 6) über das Rohr, bevor Sie die Muffe (5) verkleben (Abbildung 7).
3. Lassen Sie einen exakten Abstand zwischen den Muffen (Abbildung 8), damit Sie den Ventilkörper einfach einführen können und die Muffen nicht mit einer zu großen Spannung auf ihn wirken.
4. Um die Verbindungsstellen zu verkleben, müssen die Bereiche zuvor mit einem geeigneten Reiniger gesäubert werden und anschließend muss ein geeignetes Klebemittel aufgetragen werden. Es wird empfohlen, 24 Stunden zu warten, bevor Druck auf die Stellen ausgeübt wird.

Für das Verkleben müssen Sie den Körper von den Muffen trennen, um zu verhindern, dass das Klebemittel die internen Ventileile beschädigt.

5. Verwenden Sie bei Verschraubungen PTFE-Band für die Außengewinde: „Es ist wichtig, dass keine zu große Menge benutzt wird, da dies einen Bruch des Innengewindes verursachen könnte.“

Fig. 6

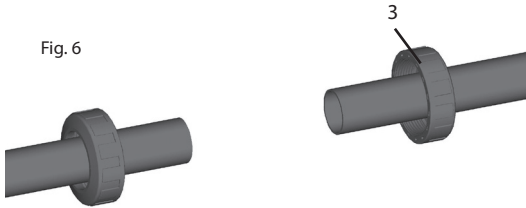


Fig. 7



Fig. 8



6. FUNKTIONSWEISE DES ANTRIEBS

Das elektrisch betätigte Ventil besteht aus einem elektrischen Antrieb, der auf einem konventionellen Ventil montiert ist.

BETRIEB Bei Empfang eines elektrischen Signal schaltet der Motor abhängig von dem Schaltsignal entweder auf „OFFEN“ oder „GESCHLOSSEN“, bis ein Kontakt zwischen der internen Nocke und dem Mikroschalter hergestellt ist und dadurch das Signal für das Anhalten des Motor gegeben wird. Wenn der Motor erneut ein elektrisches Signal empfängt, führt er eine Drehung in die entgegengesetzte Richtung durch.

- Einphasiger Umkehrmotor mit optischer Positionsanzeige und Ausgangssignal.

- Anwendung: 90°-Drehung (oder 180° bei 3-Wege-Kugelhähnen)

- Konfiguration mit AC oder DC möglich. Beide Positionen sind mit demselben Antrieb möglich. Schaltplan auf dem Etikett des Antriebs befolgen.

- Manueller Notbetrieb. Wenn der Griff auf M (Manuell) gestellt wird, schaltet sich der Motor automatisch ab.

- Zusätzliche Hilfskontakte zur Übertragung des Positionssignals.

- **WARNUNG:** Niederspannungsantriebe niemals an Hochspannungsquellen anschließen. Und Hochspannungsantriebe niemals an Niederspannungsquellen anschließen. Der Antrieb funktioniert in diesem Fall nicht und es können irreparable Schäden an der Armatur verursacht werden.

Merkmale J+J

- Temperatur wird per Thermostat gesteuert: Integration eines thermostatgesteuerten Heizsystems von 4W, das eine Arbeitstemperatur zwischen 20 °C und 30 °C (68 °F bis 86 °F) sicherstellt. Damit das System korrekt funktioniert, ist es wichtig, dass die Spannung durch den Antrieb aufrechterhalten wird.

- Sicherheit: Der Antrieb verfügt über ein automatisches elektronisches Schließsystem, wenn das maximale Drehmoment überschritten wird. In diesem Fall kann die Armatur manuell über den Griff auf dem Antrieb betrieben werden.

- Eine interne Funktions-LED zeigt ununterbrochen an, ob der Antrieb korrekt funktioniert. Wenn sie zu blinken beginnt, deutet das auf irgendeine Unregelmäßigkeit hin; in diesem Fall wird die Zufuhr des Antriebs automatisch abgeschaltet.

Optionales Zubehör:

- Digitales Positionierungssystem

- Sicherheitskomponente. Unabhängiger Akku, der bei einem Stromausfall die Stromversorgung des Antriebs sicherstellt.

5.1 ERFÜLLUNG DER NORMEN

Antrieb J+J

ISO 5211 - DIN 3337 (Ventilanschluss) EN 60204 (Sicherheit)

EN 50081-1 / EN 50081-2 / EN 50082-1 / EN 50082-2 / EN 61000-4-2 / EN 61000-4-3 / EN 61000-4-4 / EN 61000-4-5 / EN 61000-4-6 / EN 61000-

4-11 (elektromagnetischen Verträglichkeit)

Valpes-Antrieb:

ISO 5211 - DIN 3337 (Ventilanschluss)

EN 61000-6-2 / EN 61000-6-4 (elektromagnetischen Verträglichkeit) EN 60947-1 (1999) (Niederspannungsgerät)

7. BETRIEB UND WARTUNGSHINWEISE

Wenn das Ventil korrekt installiert wird, d. h. der Pfeil auf dem Ventilkörper in die Strömungsrichtung zeigt, können Wartungsarbeiten stromabwärts problemlos durchgeführt werden. Schließen Sie einfach das Ventil, es dient als Verschluss. Wenn die Wartungsarbeiten jedoch stromaufwärts durchgeführt werden müssen, ist es wichtig, dass das System drucklos ist, wenn Sie die Muffe und die Überwurfmutter abmontieren.

Die nachfolgend beschriebenen Schritte müssen immer ohne Flüssigkeit in den Leitungen durchgeführt werden.

Das Ventil wird im Werk für eine korrekte und langanhaltende Funktionsfähigkeit justiert. Es ist jedoch möglich, den festgezogenen Dichtungsträger nachzuzustieren, wenn es die Nutzungsbedingungen erforderlich machen.

Dieser Schritt muss mithilfe des mitgelieferten Werkzeugs durchgeführt werden (Abbildung 18).

Montieren Sie die Überwurfmutter (3) vom Ventil ab und entfernen Sie sie vom Körper. Führen Sie das Werkzeug in den Schlitz auf dem Dichtungsträger (12) ein und drehen Sie gegen den Uhrzeigersinn, um die Dichtung festzuziehen, oder im Uhrzeigersinn, um die Dichtung zu lockern. Wenn sich eine Komponente des Ventils abnutzt, können Sie sie austauschen, indem sie den Ventilkörper ausbauen. Führen Sie dazu dieselben Schritte wie für die Justierung der Dichtungsträger durch, drehen Sie aber so lang im Uhrzeigersinn, bis der Dichtungsträger (12) abmontiert werden kann. Anschließend können alle erforderlichen O-Ringe des Körpers ausgetauscht werden. Drehen Sie den Ventilschaft, bis sich die Kugel in der geschlossenen Position befindet; entfernen Sie die Kugel (2) und die Kugelsitze (9).

Um den Schaft auszutauschen, muss Druck drauf ausgeübt werden, siehe Abbildung 16. Sobald das Ventil (1) entfernt wurde, können die O-Ringe (7) ausgetauscht werden. Denken Sie daran, dass ein zu hoher Druck am Dichtungsträger die Funktionsfähigkeit des Ventils beeinträchtigen und das Ventil beschädigen kann.

Für die Montage führen Sie die Schritte in umgekehrter Richtung durch, denken Sie dabei jedoch immer daran, die O-Ringe mit PTFE-Schmiermittel einzufetten. Verwenden Sie niemals Schmiermittel oder Mineralöle, die das Dichtungsmaterial angreifen können.

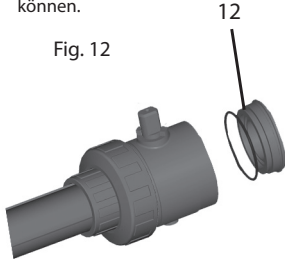


Fig. 12

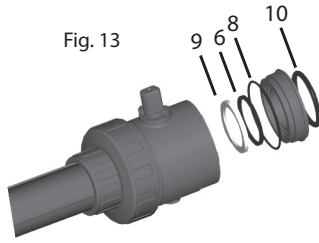


Fig. 13

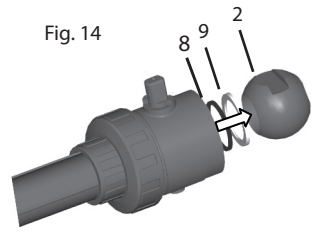


Fig. 14

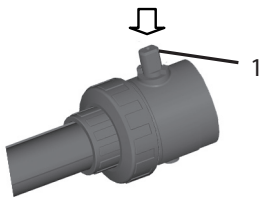


Fig. 16



Fig. 17

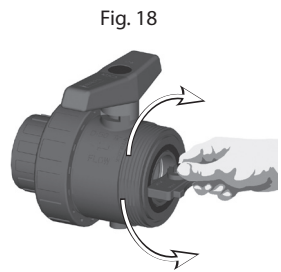


Fig. 18

8. EIN- UND AUSBAU DES ANTRIEBS

Wenn der Antrieb oder das Ventil ausgetauscht werden muss, befolgen Sie bitte diese Schritte:

1. Das Ventil schließen.
2. Lassen Sie den Druck entweichen und entleeren Sie das System.
3. Lassen Sie den Druck aus dem Steuermedium entweichen.
4. Entfernen Sie die Leitungen des Steuermediums vom Antrieb.
5. Entfernen Sie die Schrauben (A).
6. Trennen Sie den elektrischen Antrieb (4) von dem Ventil.
7. Entfernen Sie die Schrauben (B), um den Befestigungsschelle zu trennen.
8. Wenn Sie den Antrieb durch einen Griff ersetzen möchten, entfernen Sie auch die Kupplungsbuchse (3).

Um einen neuen Antrieb oder ein neues Ventil zu installieren, führen Sie diese Schritte in umgekehrter Richtung durch.

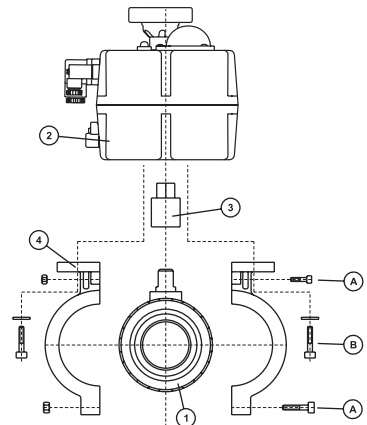


Fig. 19

10. PROBLEMLÖSUNG

T 9.1

PROBLEM	MÖGLICHE URSACHE	LÖSUNG
Leckage am Ventilkörper.	Abnutzung des O-Rings im Körper.	Austausch des O-Rings.
	Dichtungsträger zu locker.	Nachjustieren des Dichtungsträgers.
	Vorhandensein von Fest- oder seltsamen Fremdkörpern.	Ventil ausbauen und die beschädigten Teile ersetzen.
Leckage am Ventilschaft.	Abnutzung der O-Ringe des Ventilschafts.	Austausch der O-Ringe.
Das Drehmoment beim Öffnen/Schließen ist zu groß oder das Ventil ist blockiert.	Dichtungsträger zu fest.	Nachjustieren des Dichtungsträgers.
Das Ventil öffnet sich oder schließt sich nicht.	Keine Stromversorgung.	Stromquelle des Antriebs überprüfen.
Das Ventil schließt nicht vollständig.	Das Antriebsdrehmoment ist nicht gut auf das Drehmoment des Ventils abgestimmt.	Die Justierung gemäß der Anleitung für den Antrieb überprüfen.
	Das Drehmoment des Ventils ist über den berechneten Wert hinaus gestiegen.	Das Ventil überprüfen; Fremdkörper in der Kugel oder Fehlfunktion.

Av. Ramón Cuirans 40, Pl Congost P6
La Garriga (BCN) - Spain
Tel: +34 93 870 42 08
www.cepex.com
cepex@cepex.com